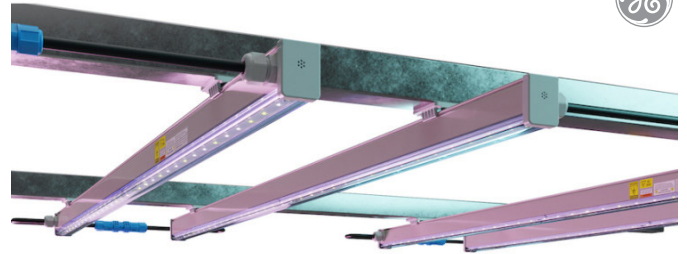


Life²

LED Lighting System



BEFORE YOU BEGIN

Read these instructions completely and carefully.

- | | | |
|--|--|--|
| <p>DA Den danske version af installationsvejledningen og sikkerhedsoplysninger kan findes på følgende placering: https://www.LED.com/hort</p> <p>DE Die deutsche Version der Installationsanleitung und Sicherheitsinformationen finden Sie in folgendem Verzeic: https://www.LED.com/hort</p> <p>ES La versión española de las instrucciones de instalación y la información sobre seguridad puede encontrarse en la siguiente ubicación: https://www.LED.com/hort</p> <p>FI Asennusohjeiden ja turvallisuustietojen suomenkielinen versio löytyy seuraavasta paikasta: https://www.LED.com/hort</p> <p>FR La version française des instructions d'installations et information de sécurité est disponible à l'adresse suivante: https://www.LED.com/hort</p> | <p>HU A telepítési útmutató és a biztonságos információk magyar nyelvű változata az alábbi címen található: https://www.LED.com/hort</p> <p>IT La versione italiana del manuale di installazione e sicurezza può essere reperita nella seguente sezione: https://www.LED.com/hort</p> <p>LT Lietuvišką diegimo instrukcijos ir saugos informacijos versiją galima rasti šioje vietoje: https://www.LED.com/hort</p> <p>NL De Nederlandse versie van de installatie-instructies en veiligheidsinformatie kan op de volgende locatie worden gevonden: https://www.LED.com/hort</p> <p>NO Den norske versjonen av installasjonsinstruksjonene og sikkerhetsinformasjonen er tilgjengelig på: https://www.LED.com/hort</p> | <p>PL Polską wersję instrukcji instalacji oraz informacje dotyczące bezpieczeństwa można znaleźć w następującej lokalizacji: https://www.LED.com/hort</p> <p>PT A versão em Português das instruções de instalação e das informações de segurança pode ser encontrada na seguinte localização: https://www.LED.com/hort</p> <p>SV Ni hittar den svenska versionen av installationsanvisningarna och säkerhetsinformationen på följande plats: https://www.LED.com/hort</p> |
|--|--|--|

For the latest North American install guides for your product go to: <https://www.LED.com>

For the latest European install guides for your product go to: <https://www.LED.com>

Save These Instructions

Use only in the manner intended by the manufacturer. If you have any questions, contact the manufacturer.

The light source of this luminaire is not replaceable; when the light source reaches its end of life the whole luminaire shall be replaced.

The external flexible cable or cord of this luminaire can not be replaced; if the cord is damaged, the luminaire shall be destroyed.

Prepare Electrical Wiring FOR UL ONLY



Electrical Requirements

- Acceptable for use in dry, damp and wet locations.
- Follow all National Electric Codes (NEC) and local codes.

This device complies with Part 15 of the FCC Rules. Operation is subject to the following two conditions: (1) This device may not cause harmful interference, and (2) this device must accept any interference received, including interference that may cause undesired operation.

CAN ICES-005 (A) / NMB-005 (A)

Note: This equipment has been tested and found to comply with the limits for a Class A digital device, pursuant to part 15 of the FCC Rules. These limits are designed to provide reasonable protection against harmful interference when the equipment is operated in a commercial environment. This equipment generates, uses, and can radiate radio frequency energy and, if not installed and used in accordance with the instruction manual, may cause harmful interference to radio communications. Operation of this equipment in a residential area is likely to cause harmful interference in which case the user will be required to correct the interference at his own expense.

⚠ WARNING / AVERTISSEMENT

RISK OF ELECTRIC SHOCK

- Turn power off before inspection, installation or removal.
- The electrical supply for each luminaire must always be connected to the male connector.
- Not to be submerged or used in a marine environment.

RISK OF FIRE

- Follow all local codes.

RISQUES DE DÉCHARGES ÉLECTRIQUES

- Coupez l'alimentation avant l'inspection, l'installation ou le déplacement.
- L'alimentation électrique pour chacun des luminaires doit toujours être branché du côté mâle de la prise.
- Ne pas submerger ou installer dans un environnement marin.

RISQUES D'INCENDIE

- Respectez tous les codes locaux.

⚠ RISK GROUP 1 - CAUTION / ATTENTION - RAYONNEMENT LUMINEUX GROUPE 1

⚠ RISK GROUP 2 - CAUTION / ATTENTION - RAYONNEMENT LUMINEUX GROUPE 2*

Possibly hazardous optical radiation emitted from this product. Do not stare at operating lamp. May be harmful to the eyes.

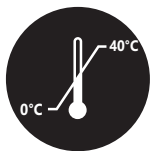
Le rayonnement lumineux émis par ce produit est potentiellement dangereux. Ne pas regarder la lumière émise directement car elle pourrait occasionner des dommages aux yeux.

*See table below for risk groups by model.



These photobiological safety markings are based on testing of the light output characteristic of a single horticultural luminaire. Increased exposure risk to facility personnel may be present depending upon the number of horticultural luminaires and their placement and/or positioning within the plant growth facility.

It is the responsibility of the plant growth facility to address these risks at the facility level and to ensure that people entering the plant growth areas while the lights are on, are aware of these risks and that appropriate safeguards are in place.



Suitable for operation in an ambient temperature between 32°F (0°C) and 104°F (40°C).

A mechanical ventilation or cooling system is required to maintain the temperature within the growing space below 104°F (40°C) when the light module is in operation.

Opération compatible avec un environnement à température ambiante contrôlée entre 32°F (0°C) et 104°F (40°C).

L'utilisation d'un système de contrôle de la température sera nécessaire pour garder la serre sous les 104°F (40°C) lorsque le luminaire est en fonction.

Part Number	IEC 62471 UL Only	IEC 62778 CE/UKCA Only	
	Risk Group	Risk Group	Min viewing distance (mm)
GEHL48HPPR3	RG2 (Lb,Eb)	RG1	N/A
GEHL48HPPB3	RG2 (Lb)	RG2	447
GEHL48HPKR3	RG1	RG1	N/A
GEHL48HPPF3	RG2 (Eb)	RG2	352
GEHL48HPKB3	RG1	RG2	390
GEHL48HPKF3	RG1	RG1	N/A
GEHL48HBRI3	RG1	RG2	359
GEHL48HBRV3	RG1	RG2	420
GEHL48HPPV3	RG2 (Eb)	RG2	530
GEHL96HPPR3	RG0	RG2	325
GEHL96HPPB3	RG2 (Eb, Lb)	RG2	432
GEHL96HPKR3	RG0	RG2	257
GEHL96HPKB3	RG1	RG2	390
GEHL96HPPV3	RG2 (Eb, Lr)	RG2	482

Please contact support at arize@currentlighting.com with regard to applications other than horizontal. In these applications, luminaires should not be directly interconnected and the male connector (power input) should be in the upward orientation with the female end facing down.



Electrical products must not be thrown out with domestic waste. They must be taken to a communal collecting point for environmentally friendly disposal in accordance with local regulations. Contact your local authorities or stockist for advice on recycling. The packaging material is recyclable. Dispose of the packaging in an environmentally friendly manner and make it available for the recyclable material collection-service.

Conforms to the following standards:
IP66 rated



Visit LED.com

Manufacturer:

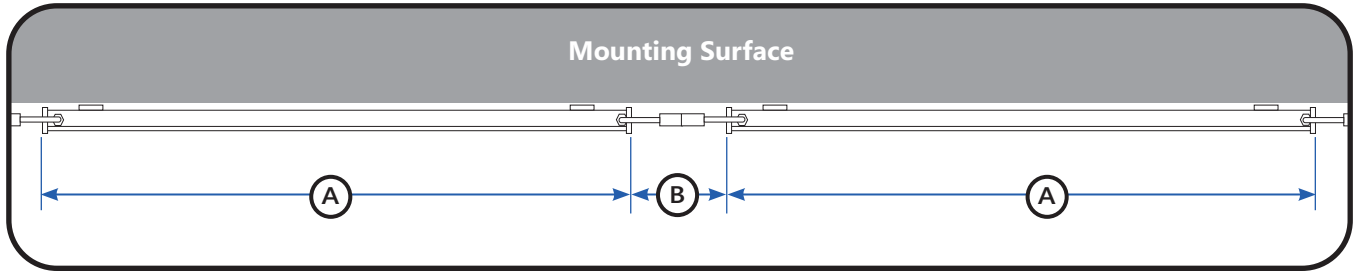
Current Lighting Solutions LLC, 1975 Noble Road, Cleveland, Ohio 44112 USA

Importer:

UK: Current Lighting Limited, 3rd Floor, 1 Ashley Road, Altrincham, UK, WA14 2DT

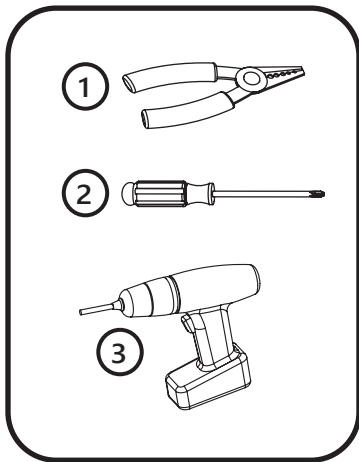
EU: Current Netherlands B.V., Programmeurstraat 6, 1033MT Amsterdam, Netherlands

Product Length



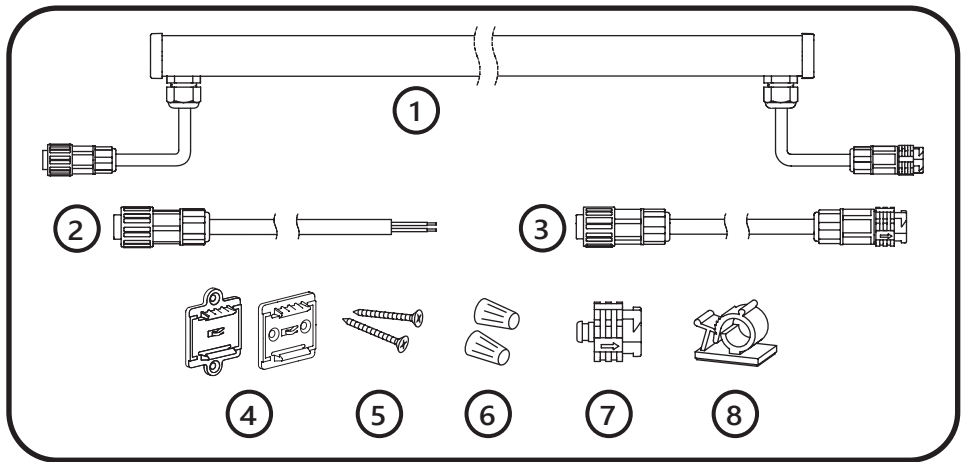
	A Luminaire length	B Minimum spacing / Leader cable length
4 ft.	47.3" (120 cm)	0.2" (5 mm) / 23.6" (600 mm)
8 ft.	95" (240 cm)	0.2" (5 mm) / 23.6" (600 mm)

Tools Required



- 1 Wire stripper/cutter
- 2 Screwdriver
- 3 Cordless drill with driver bit

Components Required



- 1 Arize Life² fixtures (4 ft. or 8 ft.)
- 2 Cable Accessories (GECAaabcc-deffg), see page 7
- 3 *Optional* - Jumper cable (93138395 – 2ft, with dimming wire)
- 4 Mounting clips (88818 – standard) or (10734 – slim)
- 5 #10 (M5) self-tapping flathead screws
- 6 Approved 18-14 AWG (0.82-2.08 mm²) wire connectors, in-line splice connectors or alternative approved connectors.
- 7 End cap for connectors
- 8 *Optional* - Cable clamps

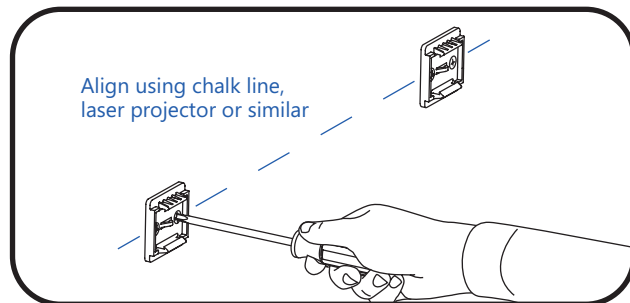
METHOD 1

Single Luminaire Installation

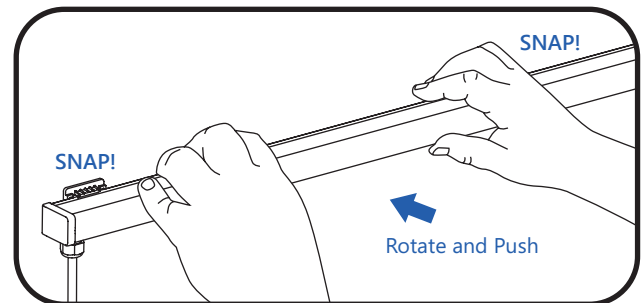
Before starting:

Luminaires must only be mounted using Current's standard or slim mounting clips (see *Components Required* on page 3).

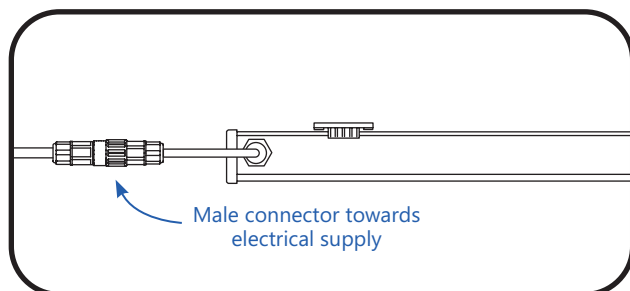
Mounting instructions using Current's standard and slim mounting clips.



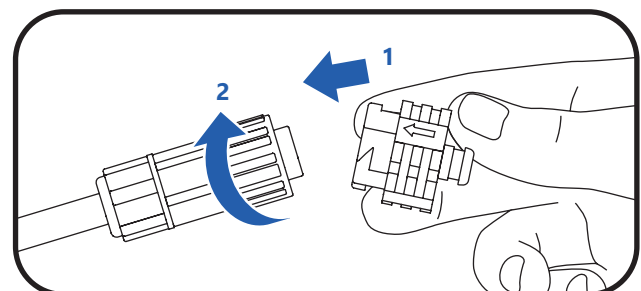
- Secure each luminaire mounting clip to a rigid flat mounting surface using two #10 (M5) self-tapping flathead screws along the intended run of luminaire. **To avoid stress and damage to luminaire the entire mounting surface should be flat and the mounting clips be properly aligned.** Refer to table on page 11 for required number of mounting clips per luminaire.



- Press the luminaire into its mounting clips so that the male connector is oriented towards the intended electrical supply. **TIP:** Align luminaire on one side of the mounting clips; then rotate the luminaire until it snaps into other side of the mounting clips.
(Only for single luminaire installation)
Alternately: The required mounting clips may first be pressed onto the luminaire, then the luminaire mounting clip assembly may be mounted on to the mounting surface using two #10 (M5) self-tapping flathead screws per mounting clip.



- Place the luminaire on the surface with the male connector oriented towards the intended electrical supply.



- If not already covered, insert an end cap into the female connector, and twist the end cap clockwise to secure.

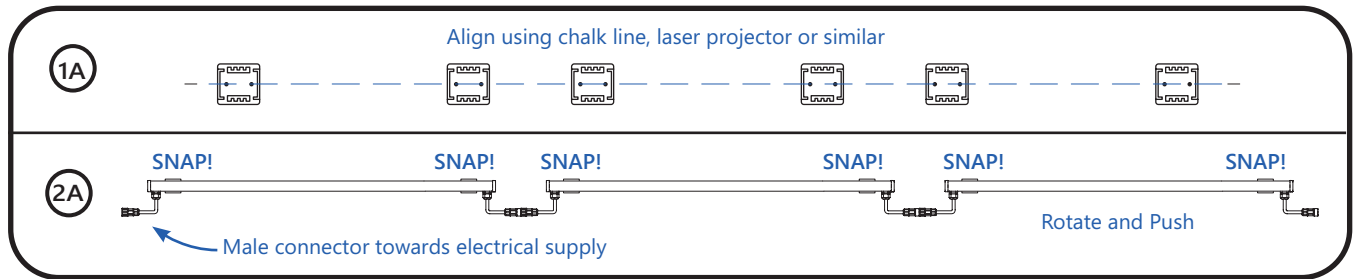
Go to METHOD 3 on page 7

METHOD 2 Directly Interconnected Luminaires

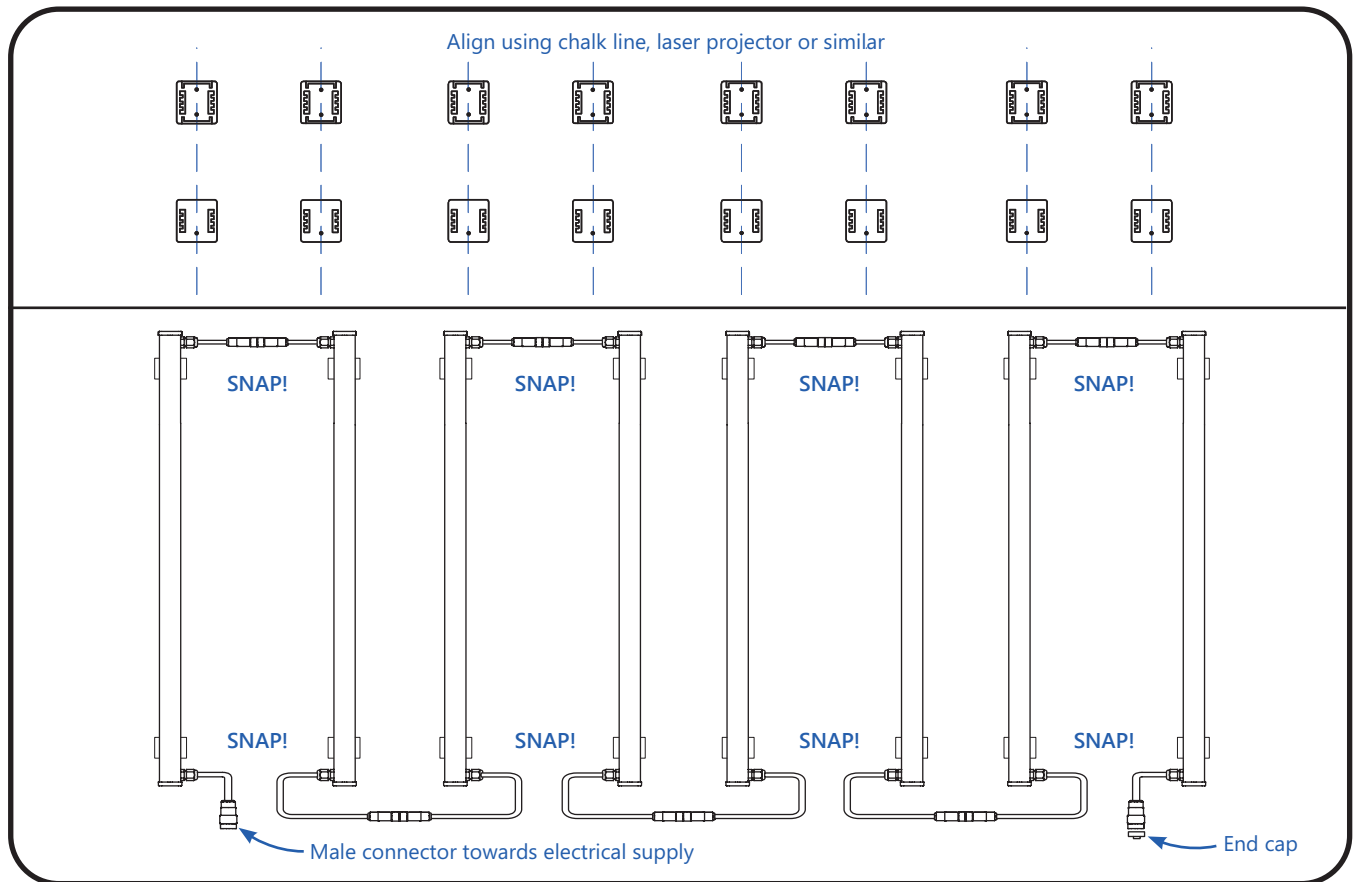
Before starting:

See Multiple Bar Installation Details to ensure you won't exceed the maximum run length per leader cable. Luminaires must only be mounted using Current's standard or slim mounting clips (see *Components Required* on page 3).

Linear Layout *NOTE: the recommended distance between two ends should be no more than 0.8" (20mm) for better optical uniformity.*



Parallel Layout *NOTE: the recommended maximum space between parallel luminaires is 10" (245mm) for better optical uniformity.*

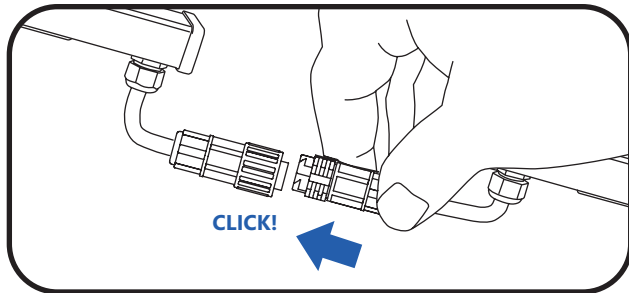


1 Secure each luminaire mounting clip to a rigid flat mounting surface using two #10 (M5) self-tapping flathead screws along the intended run of luminaire. **To avoid stress and damage to luminaire the entire mounting surface should be flat and the mounting clips properly aligned.** Refer to table on page 8 for the required number of mounting clips per luminaire.

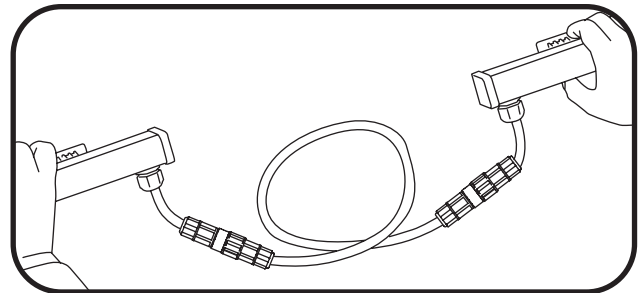
2 Press the luminaire into its mounting clips so that the male connector is oriented towards the intended electrical supply. **TIP:** Align luminaire on one side of the mounting clips, then rotate the luminaire until it snaps into other side of the mounting clips.

METHOD 2

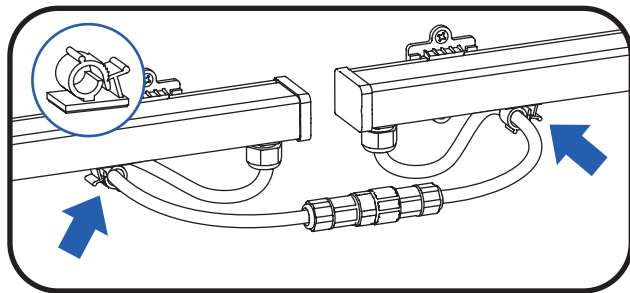
Directly Interconnected Luminaires



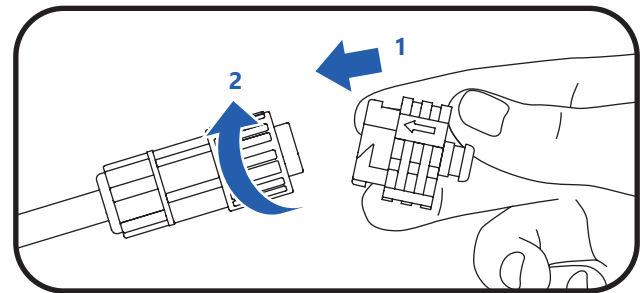
- 3A** Remove end cap from the female connector. Insert the male connector to the female connector. Make sure the connector is fully engaged as indicated by hearing a click.



- 3B** Use a jumper cable to connect luminaires if the distance between them is too long.



- 3C** *Optional:* Secure the cables using the optional cable clamp accessory.

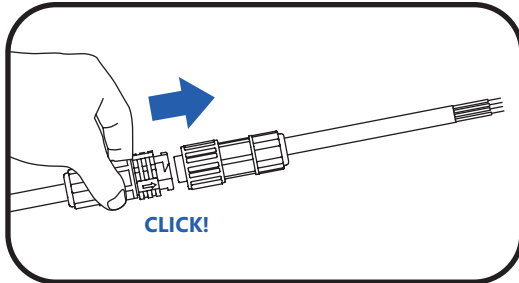


- 4** Insert an end cap into the female connector on the last luminaire in the run, and twist the end cap clockwise to secure.

Go to METHOD 3 on page 7

METHOD 3

Wiring Connections



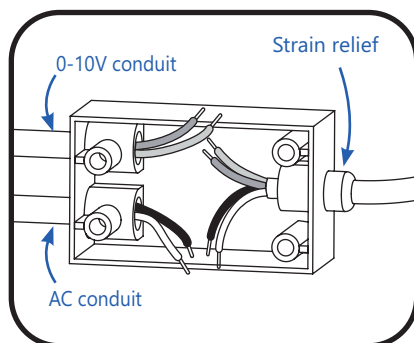
- ① Insert the female connector of the leader cable so that it fully engages the male connector of the first luminaire in the run as indicated by hearing a click.

NOTE: the male connector can be cut off if there is no leader cable.

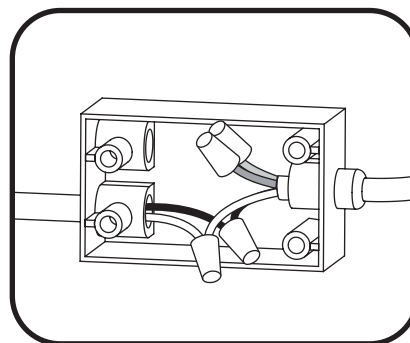
See **Multiple Bar Installation Details** to not exceed maximum run length for one leader.

To avoid damage, do not bend or otherwise exert excessive force on the connector during installation.

See *Components Required* on page 3 for leader cable part number.

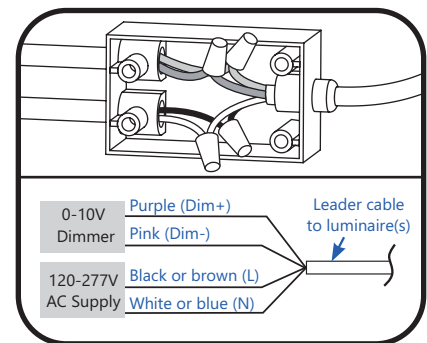


- ② Insert lead wire into junction box.



- ③ Inside the junction box, connect the line and neutral wires of the AC supply source to the line (black or brown) and neutral (white or blue) wires of the leader cable using suitable wire nuts. If 0-10V dimming will not be used, cap the dimming wires (purple and pink*) with suitable wire nuts. Do not connect the dimming wires together or to line, neutral, or ground. If 0-10V dimming will be used, proceed to Step 4.

* 2021 and earlier: purple and gray
2022 and later: purple and pink



- ④ Connect the DIM + (purple) to the incoming dimmer circuit +. Connect the Dim - (pink*) to the incoming dimmer circuit -.

Warning: The class 2 0-10V dimming circuit must be separated from the AC circuit as required by the applicable electric code.

For UL Only

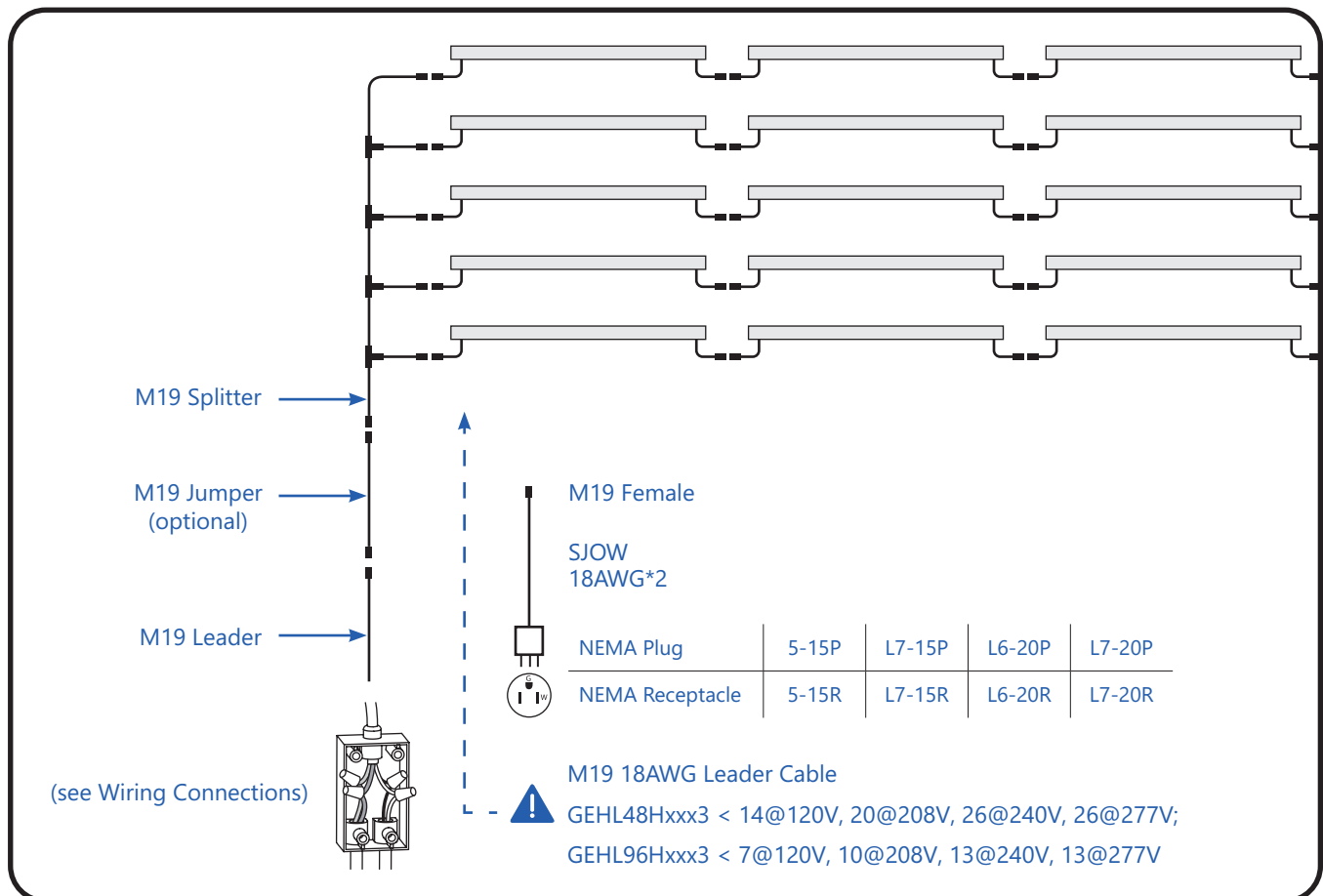
⚠ IMPORTANT GUIDELINES / CONSEILS IMPORTANTS

- Cables shall not be concealed or extended through a wall, floor, ceiling, or other parts of the building structure; located above a suspended ceiling or dropped ceiling; permanently affixed to the building structure.
- Cables shall be routed so that they are not subject to strain and are protected from physical damage; visible over their entire length; and used within their rated ampacity as determined for the maximum temperature of the installed environment specified in the instructions.
- Before applying power, ensure that any open female connectors in the installation are sealed with an end cap. (see Method 1, step 4)
- Les câbles ne doivent pas être cachés à l'intérieur ou passer à travers un mur, un plancher, un plafond ou d'autres parties de la structure du bâtiment; ne doivent pas être placés au-dessus d'un plafond suspendu; ne doivent pas faire partie intégrante de la structure du bâtiment.
- Les câbles doivent être installés de façon à être protégés contre l'étirement et tout autre dommage; être visibles sur toute leur longueur; utilisés dans la limite de leur capacité électrique, déterminée pour les limites de température de l'environnement spécifiée dans ce document.
- Avant de mettre sous tension, assurez-vous que les connecteurs femelles ouverts du système sont scellés avec une butée de gaine. (consulter méthode 1, étape 4).

METHOD 3 M19 Cable Accessories

Accessory Type	SKU	Model	Description
M19 Leader Cable (NA)	93142247	GECA30A18-CC10B	10ft (3.0m) Leader with dimming
M19 Leader Cable (EU/UK)	93142232	GECA30A18-BB06B	6ft (1.8m) Leader
	93142234	GECA30A18-BB10B	10ft (3.0m) Leader
	93142246	GECA30A18-BC06B	6ft (1.8m) Leader with dimming
	93142248	GECA30A18-BC10B	10ft (3.0m) Leader with dimming
	M19 Leader Cable with Plug (NA)	93142249	GECA30A18-CD06B
93142250		GECA30A18-CE06B	6ft (1.8m) Leader with L6-20P Plug
93148137		GECA30A18-CP06B	6ft (1.8m) Leader with L7-15P plug
93142251		GECA30A18-CK06B	6ft (1.8m) Leader with L7-20P Plug
M19 Jumper (NA/EU/UK)	93142252	GECA30A18-CF02B	2ft (0.6m) Jumper with dimming
M19 Splitter (NA/EU/UK)	93142256	GECA30A14-CI04B	4ft (1.2m) Splitter with 1 M19 male to 5 M19 female connectors with dimming.

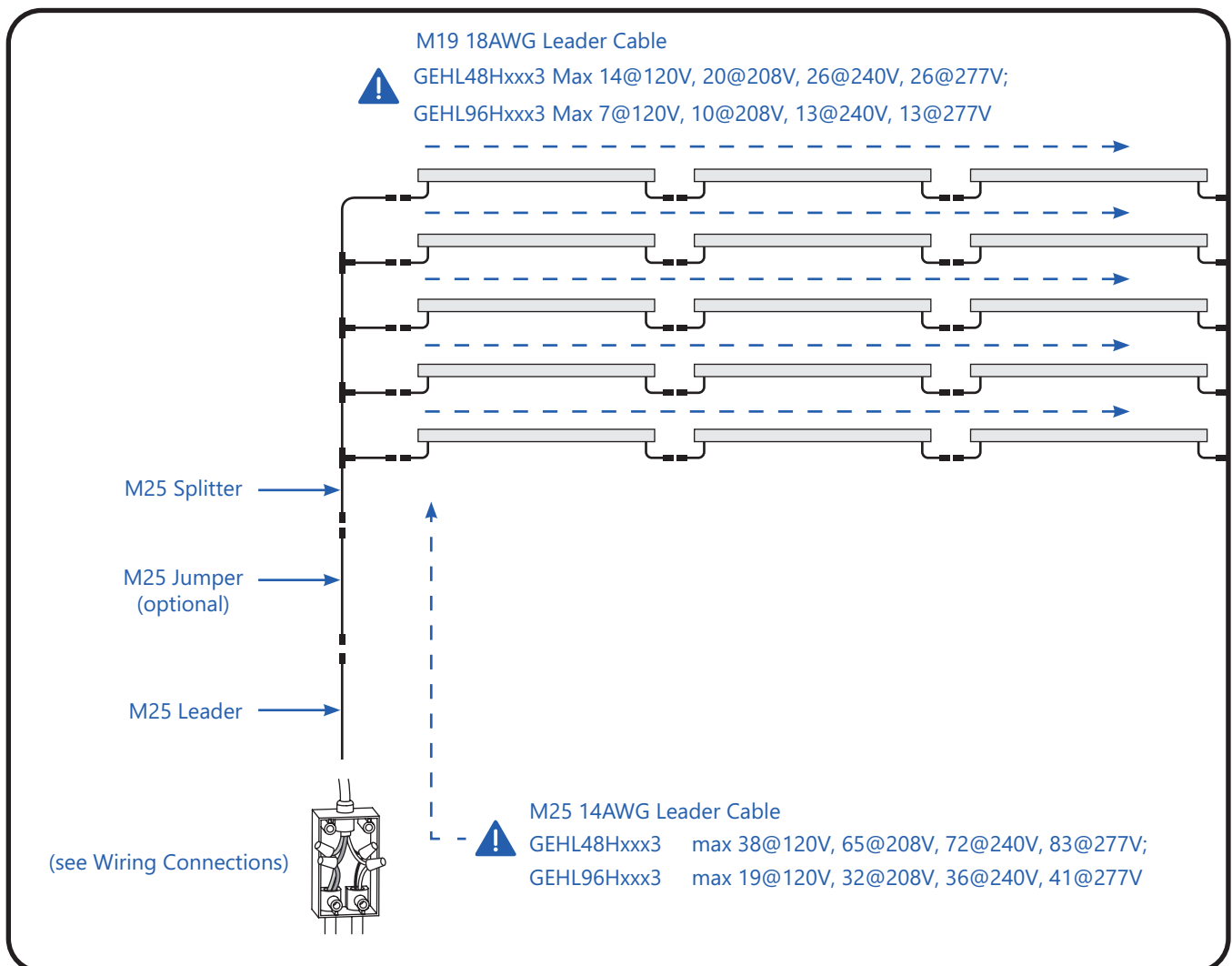
METHOD 3 M19 Cable Accessories Installation Example



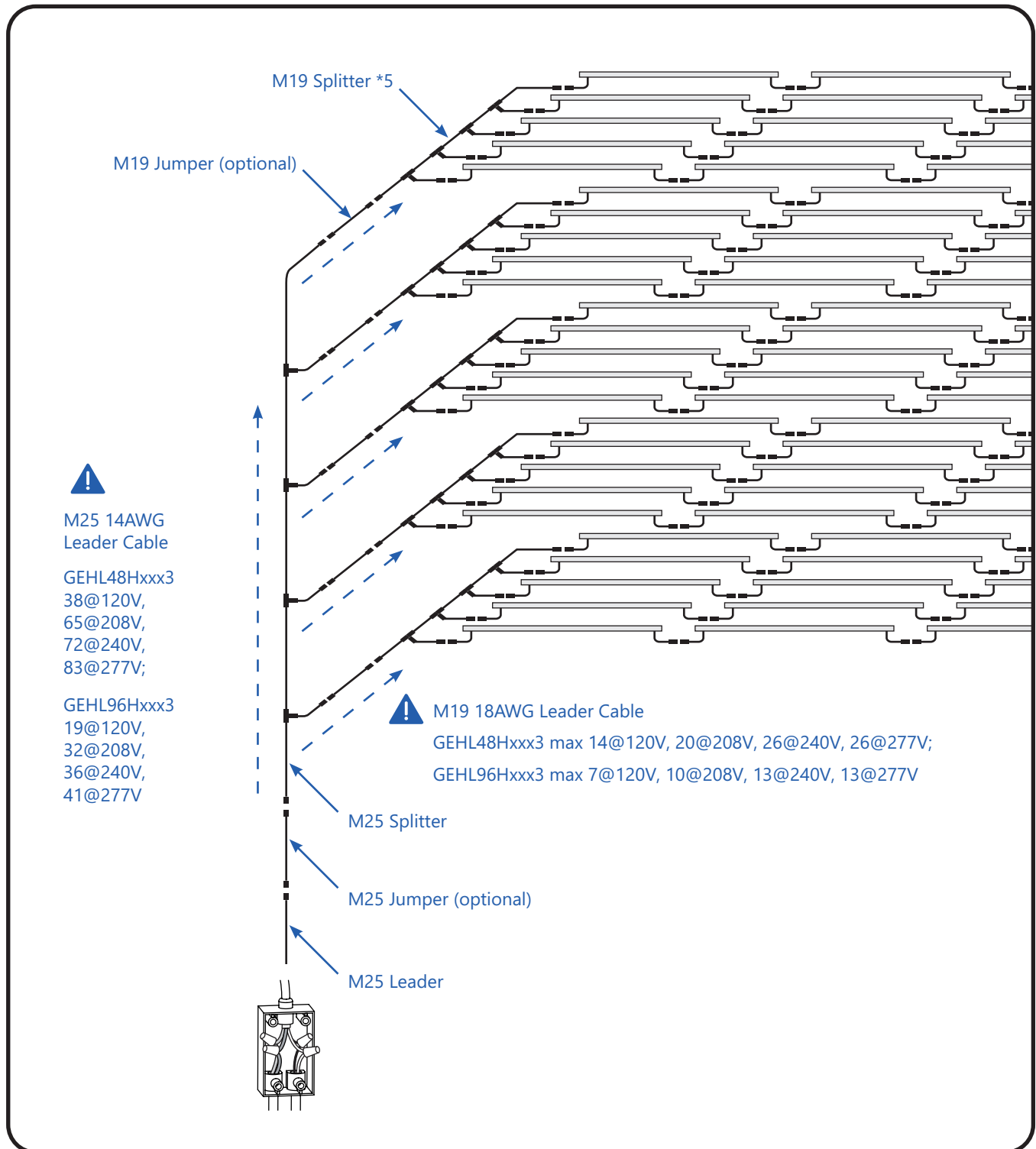
METHOD 3 M25 Cable Accessories

Accessory Type	SKU	Model	Description
M25 Leader (EU/UK)	93142254	GECA30A14-BG06B	6ft (1.8m) Leader with dimming, 15A, EU
M25 Jumper (NA/EU/UK)	93142255	GECA30A14-CH02B	2ft (0.6m) Jumper with dimming
M25 Splitter (NA/EU/UK)	93142257	GECA30A14-CJ08B	8ft (2.4m) Splitter with 1 M25 male to 5 M19 female connectors with dimming.
M25 Leader (NA)	93142253	GECA30A14-CG06B	6ft (1.8m) Leader with dimming, 15A, NA

METHOD 3 M25 Cable Accessories Installation Example A



METHOD 3 M25 Cable Accessories Installation Example B



Multiple Bar Installation Details

Input voltage : 120VAC - 277VAC, 50/60Hz

Lamp Length	Product Code (SKU)	Description Code	Maximum Bars Per M25 14AWG Leader Cable				Maximum Bars Per Interconnected run or M19 18AWG Leader Cable				Qty of Mounting Clips		Electrical Loading Detail Typical Current (A)			
			For 120VAC	For 208VAC	For 230VAC	For 277VAC	For 120VAC	For 208VAC	For 230VAC	For 277VAC	Plastic Clips	Metal Clips	For 120VAC	For 208VAC	For 230VAC	For 277VAC
4 ft.	93137762	GEHL48HPPR3	38	65	72	83	14	20	26	26	2	2	0.30	0.17	0.16	0.14
	93137763	GEHL48HPPF3														
	93137764	GEHL48HPPB3														
	93137765	GEHL48HPPV3														
	93137936	GEHL48HPKR3														
	93137937	GEHL48HPKF3														
	93137938	GEHL48HPKB3														
	93137939	GEHL48HBRI3														
	93137940	GEHL48HBRV3														
8 ft.	93137941	GEHL96HPPR3	19	32	36	41	7	10	13	13	3	2	0.60	0.34	0.32	0.28
	93137942	GEHL96HPPB3														
	93137943	GEHL96HPPV3														
	93137944	GEHL96HPKR3														
	93137945	GEHL96HPKB3														

Product Codes

GEHLxxHyyz3

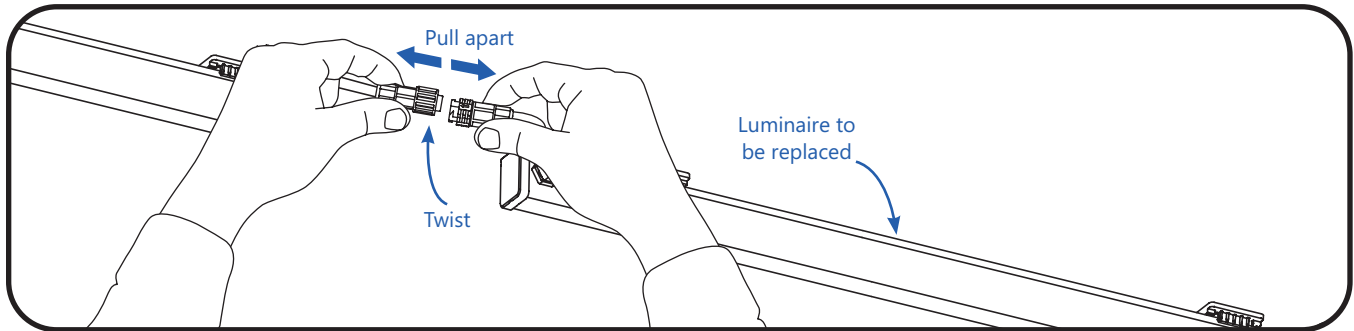
*Key for xx: 48=48 in., 96=96 in.

*Key for yy: PP=Purple, PK=Pink, BR=Broad Spectrum

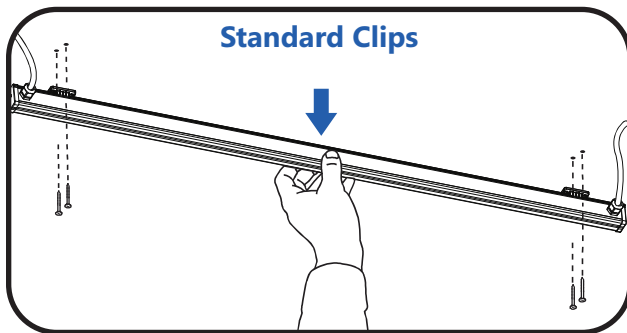
*Key for z: Type "R", "B", "V", "I", "F"

Troubleshooting

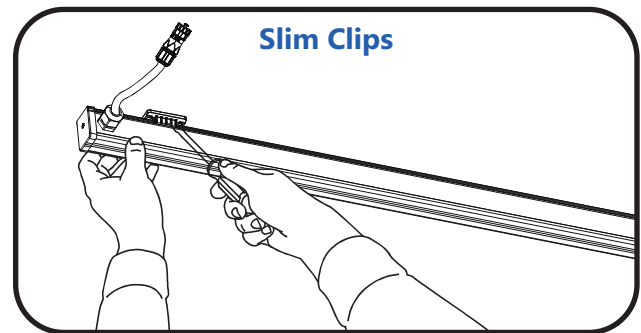
Symptom	Solution
All LED fixtures are not illuminated	<ul style="list-style-type: none"> • Check leader cable connection and/or check circuit breaker. • Check plug connectors on the LED fixtures for improper connections or short circuits. • Ensure leader cable is securely connected to the female plug connector on the first LED luminaire.
Some LED fixtures are not illuminated	<ul style="list-style-type: none"> • Check plug connectors on the LED fixtures for improper connections or short circuits. • Ensure any jumper cables are securely connected between the male/female plug connectors of the LED fixtures.

METHOD 4**Replacement Instructions for Directly Interconnected Luminaires**

- ① Disconnect the connector on both sides of the luminaire.



- ②A Unscrew the mounting clips to completely remove the luminaire.



- ②B Using a screwdriver, gently pry the luminaire out of the mounting clips.

- ③ To insert a new luminaire, see Method 2.

To avoid damage, do not bend or otherwise exert excessive force on the connector during installation.

DA ADVARSEL**RISIKO FOR ELEKTRISK STØD**

- Sluk for strømmen inden kontrol, montering eller afmontering.
- Strømforsyningen til hvert armatur skal altid tilsættes hanstikket.
- Må ikke nedsænkes eller anvendes i et havmiljø.

RISIKO FOR BRAND

- Følg alle lokale regler.

RISIKOGRUPPE 1 - FORSIGTIG / OBS**RISIKOGRUPPE 2 - FORSIGTIG / OBS**

- Muligvis farlig optisk stråling udsendt fra dette produkt. Stirre ikke direkte på lampen. Kan være skadeligt for øjnene.
- Disse fotobiologiske sikkerhedsmærker er baseret på test af lysudbyttet, der er karakteristisk for et enkelt gartneriarmatur. Der kan være en øget eksponeringsrisiko for personalet på anlægget afhængigt af antallet af gartneriarmaturer og deres placering og/eller placering inden for plantevækstfaciliteten.
- Det er plantevækstfacilitetens ansvar at håndtere disse risici på anlægsniveau og sikre, at mennesker, der kommer ind i plantevækstområderne, mens lysene er tændt, er klar over disse risici, og at der er passende beskyttelsesforanstaltninger.
- Velegnet til drift ved en omgivelsestemperatur mellem 0°C og 40°C.
- Der kræves et mekanisk ventilations- eller kølesystem for at opretholde temperaturen i vækstrådet under 40°C, når lysmodulet er i drift.

Værktøjer påkrævet

- Afisoleringskniv/afskærer
- Skruetrækker
- Batteridrevet boremaskine med skruerbit

Komponenter påkrævet

- Arize Life² armaturer (4 fod eller 8 fod)
- Kabeltilbehør (GECAaabcc-deffg), se side 7
- Valgfrit - Jumperkabel (93138395 - 2 fod, med dæmpningstråd)
- Monteringsklemmer (88818 - standard) eller (10734 - slank)
- Nr. 10 (M5) selvskærende skrue med fladt hoved
- CE-godkendte 18-14 AWG (0,82-2,08 mm²) ledningsstik, in-line splejsestik eller alternative godkendte stik.
- Endehætte til stik
- Valgfri - Kabelklemmer

METODE 1—Enkelt armaturinstallation**Inden start:**

Armaturer må kun monteres ved hjælp af 'Current's standard' eller slanke monteringsklemmer (se Komponenter påkrævet på side 3).

Monteringsvejledning ved hjælp af 'Current's standard' og slanke monteringsclips.

- Fastgør hver armaturmonteringsklemme til en stiv, flad monteringsflade med to selvskærende fladhovedskrue nr. 10 (M5) langs armaturets planlagte rækkevidde. For at undgå belastning og beskadigelse af armaturet skal hele monteringsoverfladen være flad, og monteringsklemmerne skal være korrekt justeret. Se tabellen på side 11 for det nødvendige antal monteringsklemmer pr. armatur.
- Tryk armaturet ind i dets monteringsklemmerne, så hanstikket vender mod den påtænkte elektriske forsyning. **TIP:** Juster armaturet på den ene side af monteringsklemmerne og drej derefter armaturet, indtil det klikker ind på den anden side af monteringsklemmerne.
- (Kun til enkeltarmaturinstallation)
- **Alternativt:** De krævede monteringsklemmer kan først presses på armaturet, hvorefter armaturets monteringsklemmesamling kan monteres på monteringsoverfladen ved hjælp af to selvskærende fladhovedskrue nr. 10 (M5) pr. monteringsklemme.
- Placer armaturet på overfladen, så hanstikket vender mod den påtænkte elektriske forsyning.
- Hvis den ikke allerede er dækket, indsæt en endehætte i hunstikket og drej endehætten med uret for at fastgøre den.
- Gå til METODE 3 på side 7

METODE 2—Direkte sammenkoblede armaturer**Inden start:**

- Se Detaljer om installation af flere stænger for at sikre, at du ikke overskrider den maksimale løbelængde pr. lederkabel.
- Armaturer må kun monteres ved hjælp af 'Current's standard' eller slanke monteringsklemmer (se Komponenter påkrævet på side 3).

Lineær layout

OBS: den anbefalede afstand mellem to ender bør ikke være mere end 0,8" (20 mm) for bedre optisk ensartethed.

Parallelt layout

BEMÆRK: den anbefalede maksimale afstand mellem parallelle armaturer er 10" (245 mm) for bedre optisk ensartethed.

- Fastgør hver armaturmonteringsklemme til en stiv, flad monteringsflade med to selvskærende fladhovedskrue nr. 10 (M5) langs armaturets planlagte rækkevidde. **For at undgå belastning og beskadigelse af armaturet skal hele monteringsoverfladen være flad, og monteringsklemmerne skal være korrekt justeret.** Se tabellen på side 8 for det nødvendige antal monteringsklemmer pr. armatur.
- Tryk armaturet ind i dets monteringsklemmerne, så hanstikket vender mod den påtænkte elektriske forsyning. **TIP:** Juster armaturet på den ene side af monteringsklemmerne og drej derefter armaturet, indtil det klikker ind på den anden side af monteringsklemmerne.

METODE 2—Direkte sammenkoblede armaturer

- Fjern endehætten fra hunstikket. Sæt hanstikket i hunstikket. Sørg for, at stikket sidder helt fast som angivet ved at høre et klik.
- Brug et jumperkabel til at forbinde armaturer, hvis afstanden mellem dem er for lang.
- **Valgfri:** Fastgør kablerne med det valgfrie kabelklemmetilbehør.
- Sæt en endehætte i hunstikket på det sidste armatur i løbet, og drej endehætten med uret for at fastgøre den.
- Gå til METODE 3 på side 7

METODE 3—Ledningsforbindelser

- Indsæt hunstikket på lederkablet, så det går helt i indgreb på hanstikket på det første armatur i løbet, som angivet ved at høre et klik.
- **BEMÆRK:** Hanstikket kan skæres af, hvis der ikke er noget lederkabel.
- Se Detaljer om installation af flere stænger for ikke at overskride den maksimale længde for en leder.
- **For at undgå skader må du ikke bøje eller på anden måde udøve for stor kraft på stikket under installationen.**
- Se Komponenter påkrævet på side 3 for lederkabels varenummer.
- Sæt ledningen i forbindelsesboksen.
- Inden i forbindelsesboksen forbindes ledningen og de neutrale ledninger fra vekselstrømforsyningskilden til ledningerne (sorte eller brune) og neutrale (hvide eller blå) ledninger i lederkablet ved hjælp af passende trådmøtrikker. Hvis der ikke anvendes 0-10V-dæmpning, skal dækslerne til dæmpningsledningerne (lilla og grå) dækkes med passende møtrikker. Tilslut ikke dæmpningstrådene sammen eller til linje, neutral eller jord. Hvis der bruges 0-10V dæmpning, skal du fortsætte til trin 4

Fejlfinding

Alle LED-armaturer er ikke belyst:

- Kontroller lederkabel forbindelse og/eller afbryder.
- Kontroller stikforbindelser på LED-armaturene for ukorrekte tilslutninger eller kortslutninger.
- Sørg for, at lederkablet er sikkert forbundet til hunstikket på det første LED-armatur.

Nogle LED-armaturer er ikke belyst:

- Kontroller stikforbindelser på LED-armaturene for ukorrekte tilslutninger eller kortslutninger.
- Sørg for, at alle jumperkabler er sikkert forbundet mellem han/hun-stikforbindelserne på LED-armaturene.

METODE 4—Udsiftningsinstruktioner til direkte sammenkoblede armaturer

- Afbryd stikket på begge sider af armaturet.
- Skru monteringsklemmerne af for at fjerne armaturet helt.
- Brug en skruetrækker til at lirke armaturet forsigtigt ud af monteringsklemmerne.
- Se Metode 2 for at indsætte et nyt armatur. **For at undgå skader må du ikke bøje eller på anden måde udøve for stor kraft på stikket under installationen.**

DE WARNUNG**STROMSCHLAGEFAHR**

- Schalten Sie die Stromversorgung vor der Inspektion, Installation oder Entfernung des Geräts aus.
- Die Stromversorgung jeder Leuchte muss immer am Stecker angeschlossen werden.
- Nicht in Flüssigkeiten tauchen oder in einer marinen Umgebung verwenden.

BRANDGEFAHR

- Alle lokale Normen beachten.

RISIKOGRUPPE 1 - WARNUNG / ACHTUNG**RISIKOGRUPPE 2 - WARNUNG / ACHTUNG VORSICHT**

- Möglicherweise gefährliche optische Strahlung, die von diesem Produkt ausgestrahlt wird. Blicken Sie nicht in die eingeschaltete Leuchte. Kann die Augen schädigen.
- Diese photobiologischen Sicherheitskennzeichnungen basieren auf der Prüfung der Lichtleistungscharakteristik einer einzelnen Gartenbauleuchte. Abhängig von der Anzahl der Gartenbauleuchten und ihrer Platzierung und/oder Positionierung innerhalb der Pflanzenzuchtanlage kann ein erhöhtes Expositionsrisiko für das Personal der Einrichtung bestehen.
- Es liegt in der Verantwortung der Pflanzenzuchtanlage, diese Risiken auf Anlagenebene anzugehen und sicherzustellen, dass Personen, die die Pflanzenwachstumsbereiche bei eingeschaltetem Licht betreten, sich dieser Risiken bewusst sind und geeignete Sicherheitsvorkehrungen getroffen sind.
- Geeignet für den Betrieb bei einer Umgebungstemperatur zwischen 32°F(0°C) und 104°F(40°C).
- Ein mechanisches Belüftungs- oder Kühlsystem ist erforderlich, um die Temperatur im Wachstumsraum unter 40°C (104°F) zu halten, wenn das Lichtmodul in Betrieb ist.

Erforderliche Werkzeuge

- Entisolierzange
- Schraubenzieher
- Kabelloser Bohrschrauber mit Schrauberbit

Erforderliche Komponenten

- Arize Life² Vorrichtungen (4-Fuß oder 8-Fuß)
- Kabelzubehöerteile (GEC Aaabc-deffg), siehe Seite 7
- *Optional* - Überbrückungskabel (93138395 – 2-Fuß, mit Dimmerdraht)
- Befestigungsclips (88818 – Standard) oder (10734 – dünn)
- #10 (M5) selbstschneidende Flachkopfschrauben
- 18-14 AWG (0.82-2.08 mm²) Kabelverbindungen mit CE-Freigabe, Inline-Verbindungen oder alternative zugelassene Verbindungen.
- Endkappe für Steckverbinder
- *Optional* - Kabelklemmen

METHODE 1—Einzelleuchteninstallation

Vor dem Beginn: Leuchten dürfen nur mit den Standard- oder dünnen Montageclips von Current montiert werden (siehe Erforderliche Komponenten auf Seite 3).

Montageanleitung mit den Standard- und dünnen Montageclips von Current.

- Jeden Leuchtenmontageclip mit zwei #10 (M5) selbstschneidenden Flachkopfschrauben entlang des vorgesehenen Leuchtenverlaufs an einer starren, flachen Montagefläche befestigen. Um Spannungen und Schäden an der Leuchte zu vermeiden, sollte die gesamte Montagefläche eben sein und die Montageclips angemessen ausgerichtet werden. Die erforderliche Anzahl der Befestigungsclips pro Leuchte entnehmen Sie der Tabelle auf Seite 11.
- Die Leuchte in ihre Befestigungsklammern so eindrücken, dass der Stecker auf die vorgesehene elektrische Versorgung ausgerichtet ist. **TIPP:** Leuchte an einer Seite der Montageclips ausrichten; dann die Leuchte drehen, bis diese in die andere Seite der Montageclips einrastet.
- (Nur bei Einzelleuchtenmontage)
- **Alternativ:** Die benötigten Montageclips können zuerst auf die Leuchte gedrückt werden, dann kann die Leuchtenmontageclip-Baugruppe mit zwei #10 (M5) selbstschneidenden Flachkopfschrauben pro Montageclip an der Montagefläche montiert werden.
- Die Leuchte auf die Oberfläche mit dem Stecker auf die vorgesehene elektrische Versorgung ausgerichtet einsetzen.
- Falls noch nicht abgedeckt, eine Endkappe in die Buchse einsetzen und die Endkappe im Uhrzeigersinn drehen, um sie zu sichern.
- Gehen Sie zur METHODE 3 auf Seite 7

METHODE 2—Direkt verbundene Leuchten

- Vor dem Beginn: Siehe Details zur Installation mehrerer Stangen, um sicherzustellen, dass Sie die maximale Lauflänge pro Führungskabel nicht überschreiten.
- Leuchten dürfen nur mit den Standard- oder dünnen Montageclips von Current montiert werden (siehe Erforderliche Komponenten auf Seite 3).

Lineares Layout

HINWEIS: Der empfohlene Abstand zwischen zwei Enden sollte für eine bessere optische Gleichmäßigkeit nicht mehr als 20 mm betragen.

Paralleles Layout

HINWEIS: Der empfohlene maximale Abstand zwischen parallelen Leuchten beträgt 10" (245 mm) für eine bessere optische Gleichmäßigkeit.

- Jeden Leuchtenmontageclip mit zwei #10 (M5) selbstschneidenden Flachkopfschrauben entlang des vorgesehenen Leuchtenverlaufs an einer starren, flachen Montagefläche befestigen. **Um Spannungen und Schäden an der Leuchte zu vermeiden, sollte die gesamte Montagefläche eben sein und die Montageclips angemessen ausgerichtet werden.** Die erforderliche Anzahl der Befestigungsclips pro Leuchte entnehmen Sie der Tabelle auf Seite 11.
- Die Leuchte in ihre Befestigungsklammern so eindrücken, dass der Stecker auf die vorgesehene elektrische Versorgung ausgerichtet ist. **TIPP:** Leuchte an einer Seite der Montageclips ausrichten, dann die Leuchte drehen, bis diese in die andere Seite der Montageclips einrastet.

METHODE 2—Direkt verbundene Leuchten

- Die Endkappe von der Buchse entfernen. Den Stecker in die Buchse stecken. Sicherstellen, dass der Stecker vollständig eingerastet ist, wie durch ein Klicken angezeigt.
- Ein Überbrückungskabel zum Verbinden von Leuchten verwenden, wenn der Abstand zwischen ihnen zu groß ist.
- **Optional:** Die Kabel mit dem optionalen Kabelklemmenzubehör sichern.
- Eine Endkappe in die Buchse der letzten Leuchte in der Reihe stecken und die Endkappe im Uhrzeigersinn drehen, um sie zu sichern.
- Gehen Sie zur METHODE 3 auf Seite 7

METHODE 3—Kabelverbindungen

- Die Buchse des Führungskabels so einstecken, dass sie vollständig in den Stecker der ersten Leuchte in der Reihe einrastet, was durch ein Klicken angezeigt wird.
- **HINWEIS: der Stecker kann abgeschnitten werden, wenn kein Führungskabel vorhanden ist.**
- **Siehe Details zur Installation mehrerer Stangen, um die maximale Lauflänge für einen Leiter nicht zu überschreiten.**
- **Um Beschädigungen zu vermeiden, den Stecker während der Installation nicht biegen und keine andere Kraft auf ihn ausüben.**
- Siehe *Erforderliche Komponenten* auf Seite 3 für die Teilenummer des Leiterkabels.
- Das Anschlusskabel in die Anschlussdose einführen.
- Im Anschlusskasten den Außenleiter und den Neutralleiter der Wechselstromquelle mit den Leiterkabeln (schwarz oder braun) und den Neutralleitern (weiß oder blau) des Führungskabels mit geeigneten Drahtmuttern verbinden. Wenn keine 0-10V-Dimmung verwendet wird, die Dimmdrähte (lila und grau) mit geeigneten Drahtmuttern verschließen. Die Dimmerdrähte nicht miteinander oder mit Leitung, Neutralleiter oder Masse verbinden. Wenn eine 0-10V-Dimmung verwendet wird, mit Schritt 4 fortfahren.

Fehlerbehebung

Nicht alle LED-Leuchten sind beleuchtet:

- Leiterkabelanschluss und/oder Leistungsschalter prüfen.
- Die Steckverbinder an den LED-Leuchten auf falsche Verbindungen oder Kurzschlüsse prüfen.
- Sicherstellen, dass das Führungskabel fest mit der Buchse der ersten LED-Leuchte verbunden ist.

Einige LED-Leuchten sind nicht beleuchtet:

- Die Steckverbinder an den LED-Leuchten auf falsche Verbindungen oder Kurzschlüsse prüfen.
- Sicherstellen, dass alle Überbrückungskabel sicher zwischen den männlichen/weiblichen Steckverbindern der LED-Leuchten angeschlossen sind.

METHODE 4—Austauschanleitung für direkt verbundene Leuchten

- Den Stecker auf beiden Seiten der Leuchte abtrennen.
- Die Befestigungsclips abschrauben, um die Leuchte vollständig zu entfernen.
- Die Leuchte mit einem Schraubendreher vorsichtig aus den Befestigungsclips hebeln.
- Um eine neue Leuchte einzufügen, siehe Methode 2. **Um Beschädigungen zu vermeiden, den Stecker während der Installation nicht biegen und keine andere Kraft auf ihn ausüben.**

ES ATENCIÓN

RIESGO DE DESCARGA ELÉCTRICA

- Apague el suministro eléctrico antes de inspeccionarlo, instalarlo o retirarlo.
- El suministro eléctrico de cada luminaria debe estar siempre conectado al conector macho.
- No debe sumergirse ni usarse en un entorno marino.

RIESGO DE INCENDIO

- Siga todos los códigos locales.

GRUPO DE RIESGO 1 - PELIGRO / ATENCIÓN**GRUPO DE RIESGO 2 - PELIGRO / ATENCIÓN**

- Este producto emite una radiación óptica que puede ser peligrosa. No se quede mirando fijamente la lámpara encendida. Puede dañar la vista.
- Estas advertencias de seguridad fotobiológicas se basan en la realización de pruebas con las características de la potencia luminosa de una única luminaria hortícola. El riesgo de exposición para el personal de la instalación podrá ser mayor dependiendo del número de luminarias y de su situación y/o posición en las instalaciones de crecimiento de plantas.
- Los responsables de la instalación de crecimiento de plantas deben abordar el riesgo en las instalaciones y garantizar que las personas que acceden a las zonas de crecimiento de plantas cuando las luces están encendidas conocen los riesgos; también deben establecer las salvaguardias adecuadas.
- Óptima temperatura ambiente de funcionamiento entre 32° F (0° C) y 104° F (40° C).
- Se debe instalar un sistema de ventilación o refrigeración para mantener la temperatura dentro de la zona de crecimiento por debajo de los 104° F (40° C) cuando el módulo de luz esté funcionando.

Herramientas necesarias

- Pelacables/tijeras para cortar alambre
- Destornillador
- Taladro inalámbrico con broca para atornillar

Componentes necesarios

- Dispositivos Arize Life² (4 ft. u 8 ft.)
- Accesorios de cable (GECaabc-defgg), ver página 7
- *Opcional* - Cable de puente (93138395 - 2ft, con cable para el atenuador)
- Clips de montaje (88818 - estándar) or (10734 - delgado)
- Tornillos de cabeza plana autorroscantes #10 (M5)
- Conectores de cable de 18-14 AWG (0.82-2.08 mm²) aprobados por la CE, conectores de empalme en línea u otros conectores normativos.
- Tapón terminal para los conectores
- *Opcional* - abrazaderas de cables

MÉTODO 1—Instalación de una única luminaria

Antes de comenzar: Las luminarias deben montarse únicamente usando los clips de montaje estándar o delgados de Current (vea Componentes necesarios en la página 3).

Instrucciones de montaje

- Fije cada clip de montaje de la luminaria a una superficie de montaje rígida y plana usando 2 tornillos de cabeza plana autorroscantes #10 (M5) a lo largo del lugar en el que se situará la luminaria. Para evitar presiones y daños en la luminaria, la superficie de montaje debe ser plana y los clips de montaje deben estar alineados correctamente. Vea la tabla situada en la página 11 para saber cuántos clips de montaje necesita para cada luminaria.
- Presione la luminaria en los clips de montaje de forma que el conector macho está orientado hacia el suministro eléctrico. **CONSEJO:** Alinee la luminaria a un lado de los clips de montaje, después gire la luminaria hasta que se introduzca dentro de los clips de montaje.
- (Solo para instalaciones de una única luminaria)
- *De forma alternativa:* Los clips de montaje necesarios pueden fijarse en la luminaria, después el ensamble de los clips de montaje debe realizarse en la superficie de montaje usando dos tornillos de cabeza plana autorroscantes #10 (M5) por cada clip de montaje.
- Ponga la luminaria en la superficie con el conector macho orientado hacia el suministro eléctrico.
- Si no está cubierto, inserte un tapón terminal en el conector hembra y gire el tapón terminal hacia la derecha para fijarlo.
- Vaya a MÉTODO 3 en la página 7

MÉTODO 2—Luminarias interconectadas directamente

- Antes de comenzar: Vea los detalles de instalación de barras múltiples para asegurarse de que no excede la longitud máxima del cable principal.
- Las luminarias deben montarse únicamente usando los clips de montaje estándar o delgados de Current (vea Componentes necesarios en la página 3).

Disposición lineal

NOTA: Para una mejor uniformidad óptica, la distancia recomendada entre dos extremos no debe ser superior a 0,8" (20 mm).

Disposición paralela

NOTA: Para una mejor uniformidad óptica, el espacio máximo recomendado entre las luminarias es 10" (245 mm)

- Fije cada clip de montaje de la luminaria a una superficie de montaje rígida y plana usando 2 tornillos de cabeza plana autorroscantes #10 (M5) a lo largo del lugar en el que se situará la luminaria. **Para evitar presión o daños en la luminaria, la superficie de montaje debe ser plana y los clips de montaje deben estar alineados correctamente.** Vea la tabla situada en la página 8 para saber cuántos clips de montaje necesita para cada luminaria.
- Presione la luminaria en los clips de montaje de forma que el conector macho está orientado hacia el suministro eléctrico. **CONSEJO:** Alinee la luminaria a un lado de los clips de montaje, después gire la luminaria hasta que se encaje dentro de los clips de montaje.

MÉTODO 2—Luminarias interconectadas directamente

- Retire el tapón terminal del conector hembra. Inserte el conector macho en el conector hembra. Asegúrese de que el conector está conectado completamente, oirá un clic cuando esto ocurra.
- Use un cable de puente para conectar las luminarias si la distancia entre ellas es demasiado larga.
- **Opcional:** Fije los cables usando la abrazadera de cables opcional.
- Inserte un tapón terminal en el conector hembra en la última luminaria y gírelo hacia la derecha para fijarlo.
- Vaya a MÉTODO 3 en la página 7

MÉTODO 3—Conexiones de los cables

- Inserte el conector hembra del cable principal de forma que se conecte completamente al conector macho de la primera luminaria, oirá un clic cuando esto ocurra.
- **NOTA: el conector macho puede cortarse si no hay un cable principal.**
- **Vea los Detalles de instalación de barras múltiples para no exceder la longitud de recorrido para un cable principal.**
- **Para evitar daños, no doble o aplique una fuerza excesiva sobre el conector durante la instalación.**
- Vea *Componentes necesarios* en la página 3 para encontrar el número del cable principal.
- Inserte el cable principal en la caja de empalmes.
- Dentro de la caja de empalmes, conecte los cables de línea y neutrales del suministro de CA a los cables de línea (negro o marrón) y neutrales (blanco o negro) del cable principal usando tuercas para cables apropiadas. Si no usa un atenuador de 0-10 V, cubra los cables del alimentador (morado y gris) con tuercas para cables apropiadas. No conecte los cables del atenuador juntos o a la línea, neutral o a tierra. Si usa un atenuador 0-10V, pase al Paso 4.

Resolución de problemas

Ninguno de los dispositivos LED están iluminados:

- Compruebe la conexión del cable principal y/o el interruptor.
- Compruebe si hay conexiones incorrectas o cortocircuitos en el enchufe en los dispositivos LED.
- Asegúrese de que el cable principal está conectado correctamente al conector hembra en la primera luminaria LED.

Algunos dispositivos LED no están iluminados:

- Compruebe si hay conexiones incorrectas o cortocircuitos en el enchufe en los dispositivos LED.
- Asegúrese de que los cables de puente están conectados correctamente a los conectores hebra/macho de los dispositivos LED.

MÉTODO 4—Instrucciones de sustitución para las luminarias conectadas directamente

- Desconecte el conector en ambos lados de la luminaria.
- Desatornille los clips de montaje para retirar la luminaria completamente.
- Use un destornillador para extraer con cuidado la luminaria de los clips de montaje.
- Vea el Método 2 para insertar una luminaria nueva. **Para evitar daños, no doble o aplique una fuerza excesiva sobre el conector durante la instalación.**

FI VAROITUS

SÄHKÖISKUN RISKI

- Katkaise virta ennen tarkastusta, asennusta tai irrottamista.
- Jokaisen valaisimen sähkönsyöttö on aina kytkettävä urosliittimeen.
- Ei saa upottaa eikä käyttää meriympäristössä.

TULIPALOVAARA

- Noudata kaikkia paikallisia sääntöjä.

RISKIRYHMÄ 1 - VAROITUS / HUOMAA

RISKIRYHMÄ 2 - VAROITUS / HUOMAA

- Tämä tuote saattaa lähettää haitallista optista säteilyä. Älä tuijota toiminnassa olevaan lampuun. Se saattaa olla haitallinen silmille.
- Nämä fotobiologiset merkinnät perustuvat yksittäisen kasvivalaisimen valotehokkuusominaisuuksiin. Tuotantolaitoksen henkilökunnan altistumisriski saattaa kasvaa riippuen kasvivalaisinten määrästä ja sijoittelusta ja/tai paikoista viijelylaitoksessa.
- Viijelylaitoksen vastuulla on puuttua näihin riskeihin laitoksen tasolla ja varmistaa, että viijelyalueelle valojen palaessa tulevat ovat tietoisia näistä riskeistä ja että asianmukaiset suoja-toimet ovat käytössä.
- Sopii käytettäväksi 0–40 °C:n ympäristön lämpötilassa (32–104 °F).
- Viijelyalueen lämpötilan pitämiseen alle 40 °C:ssa (104 °F) tarvitaan mekaanista tuuletus- tai jäähdytysjärjestelmä silloin, kun valaisinmoduuli on toiminnassa.

Tarvittavat työkalut

- Johdonkuorimispihdit/rautalankasakset
- Ruuvitaltta
- Johdon pora ruuvivänninterillä

Tarvittavat osat

- Arize Life² -kalusteet (4 tai 8 tuumaa)
- Kaapelitarvikkeet (GECAabcc-deffg), ks. sivu 7
- *Valinnainen* - Välikaapeli (93138395 – n. 60 cm, himmennysjohtimen kera)
- Asennuskiinnikkeet (88818 – vakio) tai (10734 – taipuisat)
- #10 (M5) -koon itsekierteittävä tasakantaista ruuvia
- CE-hyväksytyt 18-14 AWG:n (0,82-2,08 mm²:n) johdinliittimet, avoimet jakoliittimet tai muut hyväksytyt liittimet.
- Liitinten päätykansi
- *Valinnainen* - Kaapelin vedonpoistimet

MENETELMÄ 1—Yksittäisen valaisimen asennus

Ennen aloittamista: Valaisimet on asennettava käyttäen Currentin vakiomallisia tai taipuisia asennuskiinnikkeitä (katso sivun 3 kohta Tarvittavat osat).

Asennusohjeet käyttäen Currentin vakiomallisia ja taipuisia asennuskiinnikkeitä

- Kiinnitä jokaisen valaisimen asennuskiinnike tukevaan ja tasaiseen asennuspintaan kahdella #10 (M5) -koon itsekierteittävällä ruuvilla valaisimen aiottuun suunnan mukaisesti. Valaisimen kuormituksen ja vaurioitumisen välttämiseksi koko asennuspinnan tulisi olla tasainen ja asennuskiinnikkeiden asianmukaisesti kohdistettuja. Katso sivun 11 taulukosta vaadittava asennuskiinnikkeiden määrä valaisinta kohden.
- Paina valaisin asennuskiinnikkeisiinsä siten, että koirasliitin osoittaa kohti aiottua sähkönsyöttöä. **VINKKI:** Kohdista valaisin asennuskiinnikkeiden yhdelle sivulle; kierrä sitten valaisinta, kunnes se napsahtaa kiinni asennuskiinnikkeiden toiselle sivulle.
- (Koskee vain yksittäisen valaisimen asennusta)
- **Vaihtoehoisesti:** Vaadittavat asennuskiinnikkeet voidaan painaa ensin valaisimeen, minkä jälkeen asennuskiinnikekokoontu voidaan asentaa asennuspintaan käyttäen kahta #10 (M5) -koon itsekierteittävää tasakantaista ruuvia asennuskiinnikettä kohden.
- Aseta valaisin pinnalle siten, että koirasliitin osoittaa kohti aiottua sähkönsyöttöä.
- Jos naarasliittintä ei ole vielä peitetty, aseta päätykansi sen sisään ja kiinnitä kiertämällä päätykantta myötäpäivään.
- Siirry MENETELMÄÄN 3 sivulla 7

MENETELMÄ 2—Suoraan toisiinsa liitetyt valaisimet

- Ennen aloittamista: Katso ohjeita usean palkin asennukseen varmistaaksesi, ettet ylitä yhden johtokaapelin kulun maksimipituutta.
- Valaisimet on asennettava käyttäen Currentin vakiomallisia tai taipuisia asennuskiinnikkeitä (katso sivun 3 kohta Tarvittavat osat).

Lineaarinen sijoittelu

HUOMAA: Paremmän optisen yhtenäisyyden vuoksi suositeltava etäisyys kahden pään välillä ei saisi olla yli 20 mm (0,8”).

Yhdensuuntainen sijoittelu

HUOMAA: Paremmän optisen yhtenäisyyden vuoksi suositeltava rinnakaisten valaisinten enimmäisväli on 245 mm (10”).

- Kiinnitä jokaisen valaisimen asennuskiinnike tukevaan ja tasaiseen asennuspintaan kahdella #10 (M5) -koon itsekierteittävällä ruuvilla valaisimen aiottuun suunnan mukaisesti. **Valaisimen kuormituksen ja vaurioitumisen välttämiseksi koko asennuspinnan tulisi olla tasainen ja asennuskiinnikkeiden asianmukaisesti kohdistettuja.** Katso sivun 8 taulukosta vaadittava asennuskiinnikkeiden määrä valaisinta kohden.
- Paina valaisin asennuskiinnikkeisiinsä siten, että koirasliitin osoittaa kohti aiottua sähkönsyöttöä. **VINKKI:** Kohdista valaisin asennuskiinnikkeiden yhdelle sivulle, ja kierrä sitten valaisinta, kunnes se napsahtaa kiinni asennuskiinnikkeiden toiselle sivulle.

MENETELMÄ 2—Suoraan toisiinsa liitetyt valaisimet

- Irrota päätykansi naarasliittimestä. Liitä koirasliitin naarasliittimeen. Varmista, että liitin on kunnolla paikallaan, minkä kuulet napsahduksesta.
- Käytä valaisinten yhdistämiseen välikaapelia, jos ne ovat liian kaukana toisistaan.
- **Valinnainen:** Varmista kaapeleiden kiinnitys valinnaisella, lisävarusteena saatavalla kaapelin vedonpoistimella.
- Vie päätykansi kulun viimeisen valaisimen naarasliittimeen ja kiinnitä päätykansi kiertämällä myötäpäivään.
- Siirri MENETELMÄÄN 3 sivulla 7

MENETELMÄ 3—Johdotuksen liitännät

- Aseta johtokaapelin naarasliitin siten, että se kytkeytyy täysin kulun ensimmäisen valaisimen koirasliittimeen, minkä voi kuulla napsahduksesta.
- **HUOMAA: Koirasliitin voi irrota, jos johtokaapelia ei ole.**
- **Katso ohjeet usean palkin asennukseen, ettet ylitä yhden johteen kulun maksimipituutta.**
- **Jotta liitin ei vahingoittuisi, älä taivuta sitä äläkä muuten kohdista siihen liikaa voimaa asennuksen aikana.**
- Katso johtokaapelin osanumero sivulta 3 kohdasta Tarvittavat osat.
- Vie liitosjohdin jakorasian.
- Liitä jakorasiaan sisällä vaihtovirtalähteen johdinlangat ja nollajohtimet johtokaapelin johdinlankoihin (musta tai ruskea) ja nollajohtimiin (valkoinen tai sininen) sopivilla johdinmuttereilla. Jos 0–10 V:n himmennystä ei käytetä, suojaa himmennysjohtimet (purppuranpunainen ja harmaa) sopivilla johdinmuttereilla. Älä liitä himmennysjohtimia yhteen tai johtimeen, nollajohtimeen tai maahan. Jos 0–10 V:n himmennystä käytetään, siirry vaiheeseen 4.

Vianmääritys

Kaikkissa LED-valaisimissa ei pala valo:

- Tarkista johtokaapelin liitäntä ja/tai tarkista katkaisin.
- Tarkista, onko LED-valaisinten pistokeliittimissä epäasianmukaisia liitäntöjä tai oikosulkuja.
- Varmista, että johtokaapeli on liitetty tukevasti ensimmäisen LED-valaisimen naaraspistokeliittimeen.

Joissakin LED-valaisimissa ei pala valo:

- Tarkista, onko LED-valaisinten pistokeliittimissä epäasianmukaisia liitäntöjä tai oikosulkuja.
- Varmista, että mahdolliset välikaapelit on liitetty tukevasti LED-valaisinten koiraspistokeliittinten väliin.

MENETELMÄ 4—Ohjeet suoraan toisiinsa yhdistettyjen valaisinten vaihtamiseen

- Irrota liitin valaisimen molemmilta puolilta.
- Ruuvaa asennuskiinnikkeet irti irrottaaksesi valaisimen kokonaan.
- Vännä ruuvitaltan avulla valaisin varovasti irti asennuskiinnikkeistä.
- Katso menetelmästä 2 ohjeet uuden valaisimen asentamiseen. **Jotta liitin ei vahingoittuisi, älä taivuta sitä äläkä muuten kohdista siihen liikaa voimaa asennuksen aikana.**

FR AVERTISSEMENT

RISQUE DE CHOC ÉLECTRIQUE

- Coupez l'alimentation avant l'inspection, l'installation ou le retrait.
- L'alimentation électrique de chaque luminaire doit toujours être raccordée au connecteur mâle.
- Ne doit pas être mis sous l'eau ou utilisé dans un environnement marin.

RISQUE D'INCENDIE

- Veuillez suivre tous les codes locaux.

ATTENTION – GROUPE DE RISQUE 1**ATTENTION – GROUPE DE RISQUE 2**

- Ce produit est susceptible d'émettre un rayonnement optique dangereux. Ne fixez pas la lampe en fonctionnement. Cela pourrait être nuisible pour la santé de vos yeux.
- Ces marquages de sécurité photobiologique sont basés sur des tests de la caractéristique de rendement lumineux d'un seul luminaire horticoles. Un risque d'exposition accru pour le personnel de l'installation peut être présent en fonction du nombre de luminaires horticoles et de leur emplacement et/ou positionnement dans l'installation de croissance des plantes.
- Il est de la responsabilité de l'installation de croissance des plantes de gérer ces risques au niveau de l'installation et de s'assurer que les personnes entrant dans les zones de croissance des plantes pendant que les lumières sont allumées, sont conscientes de ces risques et que des mesures de protection appropriées sont en place.
- Convient pour un fonctionnement à une température ambiante comprise entre 32 °F (0 °C) et 104 °F (40 °C).
- Un système de ventilation ou de refroidissement mécanique est nécessaire pour maintenir la température dans l'espace de culture en dessous de 104 °F (40 °C) lorsque le module d'éclairage est en fonctionnement.

Outils requis

- Pince à dénuder/coupe-fil
- Tournevis
- Perceuse sans fil avec embout

Composants requis

- Luminaires Arize Life² (4' ou 8')
- Accessoires pour câbles (GECAaabcc-deffg), voir page 7
- *Optionnel* – Câble de liaison (93138395 – 2 pi, avec fil de gradation)
- Clips de montage (88818 – standard) ou (10734 – slim)
- Vis à tête plate autotaraudeuses n° 10 (M5)
- Connecteurs de fils 18-14 AWG (0,82-2,08 mm²) approuvés CE, connecteurs d'épissure en ligne ou connecteurs alternatifs approuvés.
- Capuchon d'extrémité pour connecteurs
- *Optionnel* – Serre-câbles

MÉTHODE 1—Installation d'un seul luminaire

Avant de commencer: Les luminaires doivent uniquement être montés à l'aide des clips de montage standard ou slim de Current (voir Composants requis, page 3).

Instructions de montage à l'aide des clips de montage standard et slim de Current.

- Fixez chaque clip de montage de luminaire sur une surface de montage plane et rigide à l'aide de deux vis à tête plate autotaraudeuses n° 10 (M5) le long du parcours prévu du luminaire. Pour éviter les tensions et les dommages sur le luminaire, toute la surface de montage doit être plane et les clips de montage doivent être correctement alignés. Reportez-vous au tableau à la page 11 pour le nombre requis de clips de montage par luminaire.
- Enfoncez le luminaire dans ses clips de fixation de manière à ce que le connecteur mâle soit orienté vers l'alimentation électrique prévue. **CONSEIL:** Alignez le luminaire sur l'un des côtés des clips de montage ; puis faites pivoter le luminaire jusqu'à ce qu'il s'enclenche dans l'autre côté des clips de montage.
- (Uniquement pour l'installation d'un seul luminaire)
- **Alternative:** Les clips de montage requis peuvent d'abord être pressés sur le luminaire, puis l'ensemble de clips de montage du luminaire peut être monté sur la surface de montage à l'aide de deux vis à tête plate autotaraudeuses #10 (M5) par clip de montage.
- Placez le luminaire sur la surface avec le connecteur mâle orienté vers l'alimentation électrique prévue.
- S'il n'est pas déjà couvert, insérez un capuchon d'extrémité dans le connecteur femelle et tournez le capuchon d'extrémité dans le sens des aiguilles d'une montre pour le fixer.
- Allez à la MÉTHODE 3, page 7

MÉTHODE 2—Luminaires directement interconnectés

- Avant de commencer: Voir les détails d'installation de plusieurs barres pour vous assurer que vous ne dépasserez pas la longueur de course maximale par câble de raccordement.
- Les luminaires doivent uniquement être montés à l'aide des clips de montage standard ou slim de Current (voir Composants requis, page 3).

Disposition linéaire

NOTE: la distance recommandée entre deux extrémités ne doit pas dépasser 0,8" (20 mm) pour une meilleure uniformité optique.

Disposition parallèle

NOTE: l'espace maximum recommandé entre les luminaires parallèles est de 10" (245 mm) pour une meilleure uniformité optique.

- Fixez chaque clip de montage de luminaire sur une surface de montage plane et rigide à l'aide de deux vis à tête plate autotaraudeuses n° 10 (M5) le long du parcours prévu du luminaire. **Pour éviter les tensions et les dommages sur le luminaire, toute la surface de montage doit être plane et les clips de montage doivent être correctement alignés.** Reportez-vous au tableau à la page 8 pour le nombre requis de clips de montage par luminaire.
- Enfoncez le luminaire dans ses clips de fixation de manière à ce que le connecteur mâle soit orienté vers l'alimentation électrique prévue. **CONSEIL:** Alignez le luminaire sur l'un des côtés des clips de montage, puis faites pivoter le luminaire jusqu'à ce qu'il s'enclenche sur l'autre côté des clips de montage.

MÉTHODE 2—Luminaires directement interconnectés

- Retirez le capuchon d'extrémité du connecteur femelle. Insérez le connecteur mâle dans le connecteur femelle. Assurez-vous que le connecteur est complètement engagé comme indiqué en entendant un clic.
- Utilisez un câble de liaison pour connecter les luminaires si la distance entre eux est trop longue.
- **Optionnel:** Fixez les câbles à l'aide de l'accessoire serre-câbles en option.
- Insérez un capuchon d'extrémité dans le connecteur femelle du dernier luminaire de la série et tournez le capuchon d'extrémité dans le sens des aiguilles d'une montre pour le fixer.
- Allez à la MÉTHODE 3, page 7

MÉTHODE 3—Raccordements de câblage

- Insérez le connecteur femelle du câble de raccordement de manière à ce qu'il s'engage complètement sur le connecteur mâle du premier luminaire du parcours comme indiqué en entendant un clic.
- **NOTE: le connecteur mâle peut être coupé s'il n'y a pas de câble de raccordement.**
- **Voir les détails d'installation de plusieurs barres pour ne pas dépasser la longueur de course maximale pour un guide.**
- **Pour éviter tout dommage, ne pliez pas ou n'exercez pas de force excessive sur le connecteur pendant l'installation.**
- Voir les *Composants requis* à la page 3 pour le numéro de référence du câble de raccordement.
- Insérez le fil conducteur dans le boîtier de raccordement.
- À l'intérieur du boîtier de raccordement, connectez les fils de phase et neutre de la source d'alimentation CA aux fils de phase (noir ou marron) et neutre (blanc ou bleu) du câble de raccordement à l'aide de serre-fils appropriés. Si la gradation 0-10V n'est pas utilisée, couvrez les fils de gradation (violet et gris) avec des serre-fils appropriés. Ne connectez pas les fils de gradation ensemble ni à la phase, au neutre ou à la terre. Si la gradation 0-10V est utilisée, passez à l'étape 4.

Dépannage

Tous les luminaires LED ne sont pas éclairés:

- Vérifiez le câble de raccordement et/ou vérifiez le disjoncteur.
- Vérifiez les branchements des connecteurs sur les luminaires LED au cas où il y aurait des connexions incorrectes ou des courts-circuits.
- Assurez-vous que le câble de raccordement est correctement connecté au connecteur femelle du premier luminaire LED.

Certains luminaires LED ne sont pas éclairés:

- Vérifiez les branchements des connecteurs sur les luminaires LED au cas où il y aurait des connexions incorrectes ou des courts-circuits.
- Assurez-vous que tous les câbles de liaison sont solidement connectés entre les connecteurs mâles/femelles des luminaires LED.

MÉTHODE 4—Instructions de remplacement pour les luminaires directement interconnectés

- Débranchez le connecteur des deux côtés du luminaire.
- Dévissez les clips de montage pour retirer complètement le luminaire.
- À l'aide d'un tournevis, retirez délicatement le luminaire des clips de montage.
- Pour insérer un nouveau luminaire, voir la Méthode 2. **Pour éviter tout dommage, ne pliez pas ou n'exercez pas de force excessive sur le connecteur pendant l'installation.**

HU FIGYELMEZTETÉS

ÁRAMÚTÉS VESZÉLYE

- Ellenőrzés, telepítés és eltávolítás előtt kapcsolja ki a készüléket.
- Az egyes lámpatestek áramellátását mindig a dugós csatlakozóhoz kell csatlakoztatni.
- Nem merítse víz alá és ne használja tengeri környezetben.

TŰZVESZÉLY

- Tartsa be a helyi szabványokat.

1. KOCKÁZATI CSOPORT - VIGYÁZAT / FIGYELEM

2. KOCKÁZATI CSOPORT - VIGYÁZAT / FIGYELEM

- A termék potenciálisan veszélyes optikai sugárzást bocsát ki. Ne nézzen a működő lámpába. Károsíthatja a szemeket.
- Ezek a fotobiológiai biztonsági jelölések egyetlen kertészeti lámpatest fénykibocsátási jellemzőinek tesztelésén alapulnak. A kertészeti lámpatestek számától, valamint a növénytermesztő létesítményen belüli elhelyezésétől függően megnövekedett expozíciós kockázat állhat fenn a létesítmény személyzete számára.
- A növénytermesztő létesítmény felelőssége, hogy ezeket a kockázatokat létesítményszinten kezelje, és biztosítsa, hogy a növények termesztési területére belépő emberek, miközben a lámpák égnek, tisztában legyenek ezekkel a kockázatokkal, és hogy megfelelő óvintézkedések legyenek érvényben.
- Alkalmos 0°C (32°F) és 40°C (104°F) közötti hőmérsékleten történő üzemeltetésben.
- Mechanikus szellőző- vagy hűtőrendszer szükséges ahhoz, hogy a termesztőterben a hőmérsékletet 40°C alatt tartsuk, amikor a fénymodul üzemel.

Szükséges eszközök

- Huzalcsupaszító/-vágó
- Csavarhúzó
- Akkus fűrófej fűrószárral

Szükséges komponensek

- Arize Life² szerelvények (4 láb vagy 8 láb)
- Kábelkiegészítők (GECAaabcc-deffg), lásd 7. oldal
- *Opció* - Áthidaló kábel (93138395 – 2 láb, tompító huzallal)
- Rögzítőbilincsek (88818 – standard) vagy (10734 – vékony)
- #10 (M5) önbekötő laposfejű csavarok
- CE-jóváhagyással ellátott 18-14 AWG (0,82-2,08 mm²) huzalcsatlakozók, soros összekötő csatlakozók vagy alternatív jóváhagyott csatlakozók.
- Zárósapka csatlakozókhoz
- *Opció* - Kábelbilincsek

1. MÓDSZER—Egy lámpatest telepítése

Kezdés előtt: A lámpatestek csak a Current szabványos vagy vékony rögzítőbilincseivel szerelhetők fel (lásd A szükséges alkatrészek c. részt a 3. oldalon).

Szerelési utasítások a Current szabványos és vékony rögzítőkapcsaival.

- Rögzítse a lámpatest rögzítőkapcsát egy merev, lapos rögzítőfelülethez két #10 (M5) önmetsző laposfejű csavarral a lámpatest tervezett pályája mentén. A feszültség és a lámpatest sérülésének elkerülése érdekében a teljes rögzítési felületnek síknak kell lennie, és a rögzítőbilincseket megfelelően egy vonalba kell állítani. A lámpatestenként szükséges rögzítőbilincsek számát lásd a 11. oldalon található táblázatban.
- Tolja a lámpatestet a rögzítőbilincsekbe úgy, hogy a dugaszos csatlakozó a tervezett áramellátás felé nézzen. **TIPP:** Állítsa be a lámpatestet a rögzítőbilincsek egyik oldalához; majd forgassa el a lámpatestet, amíg be nem kattan a rögzítőbilincsek másik oldalára.
- (Csak egy lámpatest telepítése esetén)
- **Vagy:** A szükséges rögzítőbilincsek először a lámpatestre nyomhatók, majd a lámpatest rögzítőbilincs-szerelvényét a szerelőfelületre kell rögzíteni két #10 (M5) önmetsző laposfejű csavar segítségével rögzítőbilincsenként.
- Helyezze a lámpatestet a felületre úgy, hogy a dugaszos csatlakozó a tervezett áramellátás felé nézzen.
- Ha még nincs lefedve, helyezzen be egy zárósapkát az anyacsatlakozóba, és csavarja el a zárósapkát az óramutató járásával megegyező irányba a rögzítéshez.
- Lépjen a 3. MÓDSZERRE a 7. oldalon

2. MÓDSZER—Közvetlenül összekapcsolt lámpatestek

- Kezdés előtt: Lásd Több rúd telepítésének részleteit, hogy megbizonyosodjon arról, hogy nem haladja meg a vezetőkábel maximális vezetési hosszát.
- A lámpatestek csak a Current szabványos vagy vékony rögzítőbilincseivel szerelhetők fel (lásd A szükséges alkatrészek c. részt a 3. oldalon).

Lineáris elrendezés

MEGJEGYZÉS: a két vég közötti ajánlott távolság nem lehet nagyobb, mint 0,8 hüvelyk (20 mm) a jobb optikai egyenletesség érdekében.

Párhuzamos elrendezés

MEGJEGYZÉS: a párhuzamos lámpatestek közötti ajánlott maximális távolság 10 hüvelyk (245 mm) a jobb optikai egyenletesség érdekében.

- Rögzítse a lámpatest rögzítőkapcsát egy merev, lapos rögzítőfelülethez két #10 (M5) önmetsző laposfejű csavarral a lámpatest tervezett pályája mentén. **A feszültség és a lámpatest sérülésének elkerülése érdekében a teljes rögzítési felületnek síknak kell lennie, és a rögzítőbilincseket megfelelően egy vonalba kell állítani.** A lámpatestenként szükséges rögzítőbilincsek számát lásd a 8. oldalon található táblázatban.

- Tolja a lámpatestet a rögzítőbilincsekbe úgy, hogy a dugaszos csatlakozó a tervezett áramellátás felé nézzen. **TIPP:** Állítsa be a lámpatestet a rögzítőbilincsek egyik oldalához, majd forgassa el a lámpatestet, amíg be nem kattan a rögzítőbilincsek másik oldalára.

2. MÓDSZER—Közvetlenül összekapcsolt lámpatestek

- Távolítsa el a zárósapkát az anyacsatlakozóról. Illessze a dugós csatlakozót az anyacsatlakozóba. Győződjön meg arról, hogy a csatlakozó teljesen be van kapcsolva; ezt kattanás jelzi.
- Használjon áthidaló kábelt a lámpatestek csatlakoztatásához, ha a távolság túl nagy.
- **Opció:** Rögzítse a kábeleket az opcionális kábelbilincs-tartozékkal.
- Helyezzen egy zárósapkát a sor utolsó lámpatestének csatlakozójába, majd a rögzítéshez csavarja le a zárósapkát az óramutató járásával megegyező irányban.
- Lépjen a 3. MÓDSZERRE a 7. oldalon

3. MÓDSZER—Kábelcsatlakozások

- Helyezze be a vezető kábel anyacsatlakozóját úgy, hogy teljesen bekapcsolódjon a sor első lámpatest csatlakozójába amit kattanás jelez.
- **MEGJEGYZÉS:** a csatlakozódugó levágható, ha nincs vezető kábel.
- **Lásd Több rúd telepítésének részleteit, hogy ne lépje túl az egyik vezető maximális futási hosszát.**
- **A sérülések elkerülése érdekében a szerelés során ne hajlítsa meg, vagy ne gyakoroljon túlzott erőt a csatlakozóra.**
- Lásd Szükséges alkatrészek c. részt a 3. oldalon a vezető kábel alkatrészszámához.
- Illessze a vezetéket a csatlakozódobozba.
- Csatlakoztassa a csatlakozódobozon belül a váltakozó áramú tápegység vezetőkábeleit és nullavezetékait a vezető kábel (fekete vagy barna) és semleges (fehér vagy kék) vezetékéhez, megfelelő kábellezárákkal. Ha nem használ 0-10 V-os fényerő-szabályozást, zárja le a fényerő-szabályozó vezetékeket (lila és szürke) megfelelő kábellezárákkal. Ne csatlakoztassa a fényerőszabályozó vezetékeket egymáshoz, vagy vezetékhez, semlegeshez vagy földeléshez. Ha 0-10 V-os fényerő-szabályozást használ, folytassa a 4. lépéssel.

Hibaelhárítás

Egyik LED-szerelvény sem világít:

- Ellenőrizze a vezetőkábel csatlakozását és/vagy ellenőrizze a megszakítót.
- Ellenőrizze a LED-es lámpatestek csatlakozóit, hogy nincs-e rossz csatlakozás vagy rövidzárlat.
- Győződjön meg arról, hogy a vezetőkábel megfelelően van csatlakoztatva az első LED-es lámpatest dugós csatlakozójához.

Néhány LED-szerelvény nem világít:

- Ellenőrizze a LED-es lámpatestek csatlakozóit, hogy nincs-e rossz csatlakozás vagy rövidzárlat.
- Győződjön meg arról, hogy az áthidaló kábelek biztonságosan vannak csatlakoztatva a LED-es szerelvények dugós/anyacsatlakozói közé.

4. MÓDSZER—Cserére vonatkozó utasítások közvetlenül összekapcsolt lámpatestekhez

- Húzza ki a csatlakozót a lámpatest mindkét oldalán.
- A lámpatest teljes eltávolításához csavarja le a rögzítőbilincseket.
- Csavarhúzó segítségével óvatosan emelje ki a világítótestet a rögzítőbilincsekből.
- Új lámpatest behelyezéséhez lásd 2. módszert. **A sérülések elkerülése érdekében a szerelés során ne hajlítsa meg, vagy ne gyakoroljon túlzott erőt a csatlakozóra.**

IT AVVERTENZA**RISCHIO DI SCOSSE ELETTRICHE**

- Prima dell'ispezione, dell'installazione o della rimozione, disattivare l'alimentazione elettrica.
- L'alimentazione elettrica di ogni apparecchio deve essere sempre collegata al connettore maschio.
- Non immergere o utilizzare in ambiente marino.

RISCHIO DI INCENDIO

- Rispettare tutte le normative locali.

GRUPPO DI RISCHIO 1 - AVVERTENZA/ATTENZIONE**GRUPPO DI RISCHIO 2 - AVVERTENZA/ATTENZIONE**

- Il prodotto può emettere radiazioni ottiche pericolose. Non fissare la lampada durante il funzionamento; può essere nociva per gli occhi.
- Queste marcature di sicurezza fotobiologica sono basate su una prova della caratteristica di emissione luminosa di un singolo apparecchio per orticoltura. L'aumento del rischio di esposizione per il personale della struttura può dipendere dal numero di apparecchi per orticoltura e dalla loro collocazione e/o posizionamento all'interno della struttura di coltivazione dei vegetali.
- È responsabilità della struttura di coltivazione dei vegetali gestire tali rischi a livello di impianto, assicurarsi che le persone che accedono alle aree di coltivazione quando le luci sono accese siano consapevoli di tali rischi e adottare misure di sicurezza adeguate.
- Prodotto adatto ad essere utilizzato a una temperatura ambiente compresa tra 32°F (0°C) e 104°F (40°C).
- Per mantenere la temperatura all'interno dell'ambiente di coltivazione al di sotto di 104°F (40°C) quando il modulo luminoso è in funzione, è necessario installare un sistema di ventilazione meccanica o di raffreddamento.

Utensili richiesti

- Spelafili/tagliafili
- Cacciavite
- Trapano a batteria con punta a cacciavite

Componenti richiesti

- Arize Life² (4 piedi o 8 piedi)
- Accessori per cavi (GECAaabc-defgg), vedere pagina 7
- *Opzionale* - Cavo di collegamento (93138395 - 2 piedi, con cavo per attenuazione)
- Clip di montaggio (88818 - standard) o (10734 - sottile)
- Viti a testa piatta autofilettanti #10 (M5)
- Connettori 18-14 AWG (0,82-2,08 mm²) omologati CE, connettori in linea o connettori alternativi omologati.
- Tappo terminale per connettori
- *Opzionale* - Serracavi

METODO 1—Installazione di un apparecchio singolo

Prima di iniziare: Gli apparecchi devono essere montati utilizzando esclusivamente le clip di montaggio standard o sottili di Current (vedere Componenti richiesti a pagina 3).

Istruzioni per il montaggio con clip di montaggio standard e sottili di Current.

- Fissare ogni clip di montaggio dell'apparecchio a una superficie di montaggio rigida e piana sul tratto previsto per l'apparecchio, usando due viti a testa piatta autofilettanti #10 (M5). Per evitare di sollecitare e danneggiare l'apparecchio, l'intera superficie di montaggio deve essere piana e le clip di montaggio devono essere allineate correttamente. Fare riferimento alla tabella a pagina 11 per il numero di clip di montaggio richiesto per ogni apparecchio.
- Premere l'apparecchio nelle clip di montaggio in modo che il connettore maschio sia orientato verso l'alimentazione elettrica prevista. **SUGGERIMENTO:** Allineare l'apparecchio su lato delle clip di montaggio; quindi ruotare l'apparecchio facendolo scattare nell'altro lato delle clip di montaggio.
- (Solo per l'installazione di un apparecchio singolo)
- **In alternativa:** Le clip di montaggio necessarie possono essere prima premute sull'apparecchio, quindi l'assieme clip di montaggio-apparecchio può essere installato sulla superficie di montaggio utilizzando due viti a testa piatta autofilettanti #10 (M5) per ogni clip di montaggio.
- Posizionare l'apparecchio sulla superficie con il connettore maschio orientato verso l'alimentazione elettrica prevista.
- Se non è già coperto, inserire sul connettore femmina un tappo e ruotare quest'ultimo in senso orario per bloccarlo.
- Vedere il METODO 3 a pagina 7

METODO 2—Apparecchi interconnessi direttamente

- Prima di iniziare: Vedere i dettagli per l'installazione di barre multiple per non superare la lunghezza massima del tratto per un cavo principale.
- Gli apparecchi devono essere montati utilizzando esclusivamente le clip di montaggio standard o sottili di Current (vedere Componenti richiesti a pagina 3).

Disposizione lineare

NOTA: per una migliore uniformità ottica, la distanza raccomandata tra due estremità non dovrebbe essere maggiore di 0,8" (20 mm).

Disposizione in parallelo

NOTA: per una migliore uniformità ottica, lo spazio massimo raccomandato tra apparecchi paralleli deve essere di 10" (245 mm).

- Fissare ogni clip di montaggio dell'apparecchio a una superficie di montaggio rigida e piana sul tratto previsto per l'apparecchio, usando due viti a testa piatta autofilettanti #10 (M5). **Per evitare di sollecitare e danneggiare l'apparecchio, l'intera superficie di montaggio deve essere piana e le clip di montaggio devono essere allineate correttamente.** Fare riferimento alla tabella a pagina 8 per il numero di clip di montaggio richiesto per ogni apparecchio.
- Premere l'apparecchio nelle clip di montaggio in modo che il connettore maschio sia orientato verso l'alimentazione elettrica prevista. **SUGGERIMENTO:** Allineare l'apparecchio su lato delle clip di montaggio, quindi ruotare l'apparecchio facendolo scattare nell'altro lato delle clip di montaggio.

METODO 2—Apparecchi interconnessi direttamente

- Rimuovere il tappo terminale dal connettore femmina. Inserire il connettore maschio nel connettore femmina. Verificare che il connettore sia completamente inserito (si udirà uno scatto).
- Usare un cavo di collegamento per collegare gli apparecchi a una distanza eccessiva.
- **Facoltativo:** Fissare i cavi usando i serracavi opzionali.
- Inserire un tappo finale nel connettore femmina dell'ultimo apparecchio del tratto e ruotare il tappo terminale in senso orario per bloccarlo.
- Vedere il METODO 3 a pagina 7

METODO 3—Connessioni del cablaggio

- Inserire il connettore femmina del cavo principale in modo che si innesti completamente nel connettore maschio del primo apparecchio del tratto (si udirà uno scatto).
- **NOTA: il connettore maschio può essere tagliato se il cavo principale non è presente.**
- **Vedere i dettagli per l'installazione di barre multiple per non superare la lunghezza massima del tratto per un cavo principale.**
- **Per evitare danni, non piegare o esercitare una forza eccessiva sul connettore durante l'installazione.**
- Per il codice articolo del cavo principale, vedere Componenti richiesti a pagina 3.
- Inserire il cavo principale nella scatola di giunzione.
- All'interno della scatola di giunzione, collegare i cavi di linea e neutro dell'alimentazione CA ai cavi di linea (nero o marrone) e neutro (bianco o blu) del cavo principale usando i cappellotti adatti. Se non si usa l'attenuazione 0-10 V, coprire i cavi dell'attenuazione (viola e grigio) con cappellotti adatti. Non collegare i cavi dell'attenuazione insieme o alla linea, al neutro o alla terra. Se si prevede di utilizzare l'attenuazione 0-10 V, procedere al punto 4.

Risoluzione dei problemi

Tutti gli apparecchi a LED sono spenti:

- Controllare il collegamento del cavo principale e/o controllare l'interruttore automatico.
- Controllare i connettori a spina sugli apparecchi a LED per verificare l'assenza di connessioni improprie o cortocircuiti.
- Verificare che il cavo principale sia saldamente collegato al connettore femmina del primo apparecchio a LED.

Alcuni apparecchi a LED sono spenti:

- Controllare i connettori a spina sugli apparecchi a LED per verificare l'assenza di connessioni improprie o cortocircuiti.
- Verificare che tutti i cavi di collegamento siano saldamente collegati tra i connettori maschio/femmina degli apparecchi a LED.

METODO 4—Istruzioni per la sostituzione di apparecchi interconnessi direttamente

- Scollegare il connettore su entrambi i lati dell'apparecchio.
- Svitare le clip di montaggio per rimuovere completamente l'apparecchio.
- Usando un cacciavite, fare leva delicatamente sull'apparecchio per estrarlo dalle clip di montaggio.
- Per inserire un nuovo apparecchio, vedere il Metodo 2. **Per evitare danni, non piegare o esercitare una forza eccessiva sul connettore durante l'installazione.**

LT IŠPĖJIMAS

ELEKTROS ŠOKO PAVOJUS

- Išjunkite maitinimą prieš apžiūrą, montavimą arba šalinimą.
- Kiekvieno šviestuvo maitinimo šaltinį visada reikia jungti prie kištukinės jungties.
- Negalima panardinti arba naudoti jūrinėje aplinkoje.

GAISRO PAVOJUS

- Laikykitės visų vietinių reikalavimų.

1 RIZIKOS GRUPĖ – ATSARGIAI / DĖMESIO**2 RIZIKOS GRUPĖ – ATSARGIAI / DĖMESIO**

- Gali būti pavojinga šio įrenginio skleidžiama optinė spinduliuotė. Nežiūrėkite į įjungtą lempuotę. Gali pakenkti akims.
- Šie fotobiologinio saugumo ženklai pagrįsti vieno sodininkystės šviestuvo šviesos sklaidos charakteristikų bandymu. Atsižvelgiant į sodininkystės šviestuvų skaičių ir jų įrengimo bei (arba) sumontavimo vietą augalų augimo patalpoje, įmonės darbuotojams gali kilti didesnė poveikio rizika.
- Augalų augimo įmonė yra atsakinga, kad šias rizikas mažintų įmonės lygiu, taip pat privalo užtikrinti žmonių, patenkančių į augalų augimo zonas, kol šviesos yra įjungtos, apsaugą, ir naudoti tinkamas apsaugos priemones.
- Tinka darbai, kai aplinkos temperatūra yra nuo 32 °F (0 °C) iki 104 °F (40 °C).
- Kad auginimo patalpoje temperatūra nesiektų 104 °F (40 °C), kai naudojamas šviesos modulis, reikalinga mechaninė vėdinimo arba vėsinimo sistema.

Reikalingi įrankiai

- Laidų skutiklis / pjoviklis
- Atsuktuvus
- Belaidis gražtas su atsuktuvu antgaliu

Reikalingi komponentai

- „Arize Life²“ įrengimo elementai (4 ped. arba 8 ped.).
- Laidų priedai (GECAaabbcc-dffg), žr. 7 p.
- *Pasirinktina* – jungės kabelis (93138395 – 2 ped. su pritemdymo laidu).
- Tvirtinimo spausdukai (88818 – standartiniai) arba (10734 – ploni).
- #10 (M5) dydžio savisriegiais varžtais su plokščia galvute.
- CE sertifikuotos 18–14 AWG (0,82–2,08 mm²) laidų jungtys, linijinės atšakų jungtys arba alternatyvios sertifikuotos jungtys.
- Jungčių antgaliai.
- *Pasirinktina* – kabelių spausdukai.

1 METODAS—Vieno šviestuvo montavimas

Prieš pradėdami Šviestuvai turi būti montuojami tik naudojant šiuolaikinius standartinius arba plonuosius tvirtinimo spausdukus (žiūrėkite 3 p. Reikalingi komponentai).

Montavimo instrukcijos naudojant šiuolaikinius standartinius ir plonuosius tvirtinimo spausdukus.

- Pritvirtinkite kiekvieną šviestuvo tvirtinimo spausduką prie tvirto plokščio montavimo paviršiaus dviem #10 (M5) dydžio savisriegiais varžtais su plokščia galvute numatyta šviestuvo tvirtinimo kryptimi. Kad išvengtumėte streso ir nesugadintumėte šviestuvo, visas montavimo paviršius turi būti plokščias, o tvirtinimo spausdukai turi būti tinkamai sulgyjuoti. Būtinai tvirtinimo spausdukų vienam šviestuvui skaičius nurodytas 11 puslapyje esančioje lentelėje.
- Įspauskite šviestuvą į tvirtinimo spausdukus, kad kištukinė jungtis būtų nukreipta numatyto elektros šaltinio kryptimi. **PATARIMAS.** Sulgyjuokite šviestuvą vienoje tvirtinimo spausdukų pusėje; tada sukite šviestuvą, kol jis užsifiksuos kitoje tvirtinimo spausdukų pusėje.
- (Montuojant tik vieną šviestuvą)
- **Alternatyva.** Pirmiausia prie šviestuvo galima prispausti reikiamus tvirtinimo spausdukus, tada šviestuvo tvirtinimo spausdukų bloką galima priveržti prie montavimo paviršiaus dviem #10 (M5) dydžio savisriegiais varžtais su plokščia galvute, tai atliekant prie kiekvieno tvirtinimo spausduko.
- Uždekite šviestuvą ant paviršiaus, kad kištukinė jungtis būtų nukreipta numatyto elektros šaltinio kryptimi.
- Jei laidas dar neizoliuotas, įstatykite antgalį į lizdinę jungtį ir užsukite jį pagal laikrodžio rodyklę, kad prisitvirtintų.
- Eiti į 3 METODĄ 7 p.

2 METODAS—Tiesiogiai tarpusavyje sujungti šviestuvai

- Prieš pradėdami Žiūrėkite kelių juostų montavimo nurodymus, kad užtikrintumėte, jog neviršysite didžiausio nutiesimo ilgio, numatyto pirminiam kabeliui.
- Šviestuvai turi būti montuojami tik naudojant šiuolaikinius standartinius arba plonuosius tvirtinimo spausdukus (žiūrėkite 3 p. Reikalingi komponentai).

Linijinis išdėstymas

PASTABA. Kad būtų užtikrintas geresnis optinis vienodumas, rekomenduojamas atstumas tarp dviejų galų turi nesiekti 0,8 col. (20 mm).

Lygiagretus išdėstymas

PASTABA. Kad būtų užtikrintas geresnis optinis vienodumas, rekomenduojamas maksimalus atstumas tarp lygiagrečių šviestuvų – 10 col. (245 mm).

- Pritvirtinkite kiekvieną šviestuvo tvirtinimo spausduką prie tvirto plokščio montavimo paviršiaus dviem #10 (M5) dydžio savisriegiais varžtais su plokščia galvute numatyta šviestuvo tvirtinimo kryptimi. **Kad išvengtumėte streso ir nesugadintumėte šviestuvo, visas montavimo paviršius turi būti plokščias, o tvirtinimo spausdukai turi būti tinkamai sulgyjuoti.** Būtinai tvirtinimo spausdukų vienam šviestuvui skaičius nurodytas 8 puslapyje esančioje lentelėje.

- Įspauskite šviestuvą į tvirtinimo spausdukus, kad kištukinė jungtis būtų nukreipta numatyto elektros šaltinio kryptimi. **PATARIMAS.** Sulgyjuokite šviestuvą vienoje tvirtinimo spausdukų pusėje, tada sukite šviestuvą, kol jis užsifiksuos kitoje tvirtinimo spausdukų pusėje.

2 METODAS—Tiesiogiai tarpusavyje sujungti šviestuvai

- Nuimkite antgalį nuo lizdinės jungties. Įstatykite kištukinę jungtį į lizdinę jungtį. Jungtis turi būti visiškai sujungta, o tai patvirtina spragtelėjimas.
- Prijunkite šviestuvus jungės kabeliu, jei atstumas tarp jų yra per didelis.
- **Pasirinktina.** Pritvirtinkite kabelius atskirai įsigyjamu kabelių suspaudimo priedu.
- Įstatykite antgalį į lizdinę jungtį komplekto paskutiniame šviestuve ir pasukite antgalį pagal laikrodžio rodyklę, kad pritvirtintumėte.
- Eiti į 3 METODĄ 7 p.

3 METODAS—Laidų sujungimai

- Įstatykite pirminio kabelio lizdinę jungtį taip, kad ji visiškai prisitvirtintų prie pirmojo šviestuvo kištukinės jungties, ką patvirtina spragtelėjimas.
- **PASTABA. Kištukinę jungtį galima atjungti, jei nėra pirminio kabelio.**
- **Žiūrėkite kelių juostų montavimo nurodymus, kad neviršytumėte didžiausio nutiesimo ilgio, numatyto vienam kabeliui.**
- **Kad nesugadintumėte, nelankstykite montuodami ir kitaip per daug nespaukite jungties.**
- Žiūrėkite 3 p. Reikalingus komponentus, kur nurodytas pirminio laido dalies numeris.
- Įstatykite pirminį laidą į jungčių dėžutę.
- Prijunkite dėžutės viduje AC maitinimo šaltinio linijos ir neutralųjį laidą prie pirminio kabelio linijos (juodos arba rudos) ir neutraliojo (balto arba mėlyno) laido, naudodami tinkamas laidų veržles. Jei nenaudosite 0–10 V pritemdymo, izoliuokite pritemdymo laidus (violetinį ir pilką) tinkamomis laidų veržlėmis. Nejunkite pritemdymo laidų kartu arba prie maitinimo linijos, neutraliojo laido arba įžeminimo. Jei naudosite 0–10 V pritemdymą, pereikite prie 4 veiksmo.

Trikčių šalinimas

Ne visi LED įrenginiai šviečia:

- Patikrinkite pirminio kabelio jungtį ir (arba) grandinės jungiklį.
- Patikrinkite LED šviestuvų kištukines jungtis, ar nėra netinkamų jungčių arba trumpųjų jungimų.
- Pirminis kabelis turi būti tvirtai prijungtas prie pirmojo LED šviestuvo kištukinės jungties.

Kai kurie LED įrenginiai nešviečia:

- Patikrinkite LED šviestuvų kištukines jungtis, ar nėra netinkamų jungčių arba trumpųjų jungimų.
- Jungės kabeliai turi būti saugiai sujungti tarp LED šviestuvų kištukinių / lizdinių jungčių.

4 METODAS—Tiesiogiai tarpusavyje sujungtų šviestuvų keitimo instrukcijos

- Atjunkite jungtį abiejose šviestuvo pusėse.
- Atsukite tvirtinimo spausdukus, kad galėtumėte visiškai nuimti šviestuvą.
- Atsargiai iškelkite šviestuvą atsuktuvu iš tvirtinimo spausdukų.
- Žiūrėkite 2 metodą norėdami įstatyti naują šviestuvą. **Kad nesugadintumėte, nelankstykite jungties montuodami ir kitaip per daug jos nespaukite.**

NL WAARSCHUWING**RISICO OP ELECTRISCHE SCHOK**

- Schakel de stroomvoorziening uit bij inspectie, installatie of verwijdering.
- De stroomvoorziening van elk armatuur dient altijd te worden verbonden aan de stekker.
- Mag niet in water worden ondergedompeld of in een mariene omgeving worden gebruikt

RISICO OP BRAND

- Volg alle plaatselijke codes en regels op.

RISICOGROEP 1 - VOORZICHTIG / OPGELET**RISICOGROEP 2 – VOORZICHTIG / OPGELET**

- Door dit product wordt potentieel schadelijke optische straling afgegeven. Kijk niet in de opening van de lamp als deze brandt. Kan schade toebrengen aan de ogen.
- Deze foto-biologische veiligheidskwalificaties zijn gebaseerd op de lichtopbrengstkenmerken van een enkele tuinbouwarmatuur. Toegenomen blootstellingsgevaar voor personeel kan optreden afhankelijk van het aantal tuinbouw-armaturen en de opstelling daarvan binnen de faciliteit.
- Het is de verantwoordelijkheid van het management van de kweekfaciliteit om op faciliteitsniveau met deze risico's om te gaan en ervoor te zorgen dat mensen die de kweekruimtes betreden als het licht in werking is, zich van de risico's bewust zijn en dat toereikende veiligheidsmechanismes in werking zijn.
- Geschikt voor gebruik bij een omgevingstemperatuur van 0°C en 40°C.
- Mechanische ventilatie of koeling is vereist om de temperatuur binnen de kweekruimte onder 40°C te handhaven indien de lichtmodule in werking is.

Benodigd gereedschap

- Draadstripper/cutter
- Schroevendraaier
- Draadloze boor met juiste bits

Benodigde componenten

- Arize Life² armaturen (120 cm of 240 cm)
- Draadkabel accessoires (GECAaabc-deffig), zie pagina 7
- *Optioneel* - Overbruggingskabel (93138395 – 60 cm, met dimdraad)
- Montageclips (88818 – standard) of (10734 – slim)
- #10 (M5) zelftappende platkopschroeven
- CE goedgekeurde 18-14 AWG (0.82-2.08 mm²) draadverbindingen, in-line splice connectors of alternative approved connectors.
- Afsluitdop voor connectors
- *Optioneel* – Kabelklemmen

METHODE 1—Installatie enkelvoudige armatuur

Voor u kunt beginnen: Armaturen mogen alleen worden gemonteerd met gebruikmaking van Current's standaard of slim mounting clips (see Components Required on page 3).

Monteerinstructies indien gebruik gemaakt wordt van Current's standaard en slim montageclips.

- Bevestig elke armatuur montage clip aan een rigide plat montagevlak gebruikmakend van twee #10 (M5) zelftappende platkopschroeven langs de geplande loop van de armatuur. Om overbelasting en schade aan de armatuur te voorkomen, dient het gehele montage-oppervlak plat te zijn en de montage-clips dienen precies op een rij te worden geplaatst. Raadpleeg de tabel op pagina 11 voor het benodigde aantal montage-clips per armatuur.
- Druk de armatuur zodanig in de montage-clips dat de stekker naar de beoogde electriciteitsvoorziening is gericht. **TIP:** Plaats de armatuur in een lijn in één kant van de montage-clips, en draai de armatuur dan tot deze in de andere kant van de montage-clips springt.
- (Alleen voor installatie van enkele armaturen)
- **Alternatief:** De benodigde montage-clips kunnen ook eerst op de armatuur worden gedrukt, waarna het geheel van armatuur en montage-clip gemonteerd kan worden op het montage-oppervlak met twee #10 (M5) zelftappende platkopschroeven per montage-clip.
- Plaats de armatuur op het oppervlak met de stekker naar de beoogde elektrische stroomvoorziening gericht.
- Als het niet al bedekt is, plaats dan een afdekdop in de stopcontactverbinding en draai de einddop met de klok mee om het zeker te bevestigen.
- Ga naar METHODE 3 op pagina 7

METHODE 2—Direct verbonden armaturen

- Voor u kunt beginnen: Bekijk de installatie details voor meervoudige installatie om er zeker van te zijn dat de maximale looplengte per leidkabel niet wordt overschreden.
- Armaturen mogen alleen worden bevestigd met gebruikmaking van Current's standaard of slim montage-clips (zie Benodigde componenten op pagina 3).

Lineaire layout

OPMERKING: de aangeraden afstand tussen twee eindes dient niet meer te bedragen dan 20 mm voor een betere optische egaliteit.

Parallele layout

OPMERKING: de maximale ruimte tussen twee parallelle armaturen dient niet meer te bedragen dan 245 mm voor een betere optische egaliteit.

- Bevestig elke armatuur montage clip aan een rigide plat montagevlak gebruikmakend van twee #10 (M5) zelftappende platkopschroeven langs de geplande loop van de armatuur. **Om overbelasting en schade aan de armatuur te voorkomen, dient het gehele montage-oppervlak plat te zijn en de montage-clips dienen precies op een rij te worden geplaatst.** Raadpleeg de tabel op pagina 8 voor het benodigde aantal montage-clips per armatuur.
- Druk de armatuur zodanig in de montage-clips dat de stekker naar de beoogde electriciteitsvoorziening is gericht. **TIP:** Plaats de armatuur in een lijn in één kant van de montage-clips, en draai de armatuur dan tot deze in de andere kant van de montage-clips springt.

METHODE 2—Direct verbonden armaturen

- Verwijder de einddop van het stopcontact. Steek de stekker in het stopcontact. Zorg ervoor dat de stekker volledig aangesloten is en een klik hoorbaar is.
- Gebruik een overbruggingskabel om armaturen te verbinden als de afstand ertussen te lang is.
- **Optioneel:** Bevestig de kabels op een veilige wijze door de optionele kabelklem accessoire te gebruiken.
- Plaats een einddop in het stopcontact op de laatste armatuur in de loop, en draai de einddop met de klok mee om te verzekeren.
- Ga naar METHODE 3 op pagina 7

METHODE 3—Bedrading verbindingen

- Bevestig het stopcontact-einde van de leidkabel zodanig, dat het volledig met de stekker van de eerste armatuur in de loop verbonden is en een klik hoorbaar is.
- **OPMERKING: de stekker kan worden afgeknipt als er geen leidkabel is.**
- **Bekijk de installatie details voor meervoudige installatie om er zeker van te zijn dat de maximale looplengte per leidkabel niet wordt overschreden.**
- **Om schade te voorkomen dient het buigen of anderszins uitoefenen van overmatige kracht op de aansluiting tijdens installatie te worden vermeden.**
- Zie *Benodigde* componenten op pagina 3 voor het nummer van de leidkabel.
- Leid de leidkabel de aansluitbox in.
- Verbind binnenin de aansluitdoos de lijn en de neutrale draden van de wisselstroomvoorziening aan de lijn (zwart of bruin) en neutrale draden (wit of blauw) met gebruikmaking van geschikte draadverbindingen. Indien 0 - 10 V dimmen niet wordt gebruikt, breng dan een dop aan op de dimdraden (paars en grijs) met geschikte draadverbindingen. Verbind de dimdraden niet aan elkaar of aan de lijn, neutrale of aarde- draad. Indien 0 – 10 V dimmen wordt gebruikt, ga dan verder met stap 4.

Probleemoplossen

Geen van de LED armaturen brandt:

- Controleer verbinding leidkabel en/of controleer circuitonderbreker.
- Controleer stekkers aan de LED armaturen op onjuiste verbindingen of kortsluiting.
- Zorg ervoor dat de leidkabel juist gekoppeld is aan het stopcontact van de eerste LED armatuur.

Sommige LED armaturen zijn niet verlicht:

- Controleer de stekkers op de LED armaturen op onjuiste verbindingen of kortsluitingen.
- Zorg ervoor dat alle overbruggingskabels zeker bevestigd zijn tussen de stekkers en stopcontacten van de LED fixtures.

METHODE 4—Vervangingsinstructies voor direct verbonden armaturen

- Ontkoppel de verbinding aan beide zijden van de armatuur.
- Schroef de montage-clips los om de armatuur volledig te verwijderen.
- Maak gebruik van een schroevendraaier om de armatuur voorzichtig uit de clip te wrikken.
- Zie voor het inbrengen van een nieuw armatuur, Methode 2. **Om schade te voorkomen dient het buigen of anderszins uitoefenen van overmatige kracht op de aansluiting tijdens installatie te worden vermeden.**

NO ADVARSEL**FARE FOR ELEKTRISK SJOKK**

- Slå av strømmen før inspeksjon, installering eller fjerning.
- Strømforsyningen til hver enkelt lyskilde må alltid være koblet til hankontakten.
- Ikke nedsenk i vann eller brukt i marine omgivelser.

FARE FOR BRANN

- Følg alle lokale retningslinjer.

RISIKOGRUPPE 1 - FORSIKTIG/OBS**RISIKOGRUPPE 2 - FORSIKTIG/OBS**

- Mulig farlig optisk stråling emitteres av dette produktet. Unngå å stirre direkte på en lampe som er i bruk. Kan være skadelig for øynene.
- Disse fotobiologiske sikkerhetsmerknadene er basert på testing av lysutbyttet til en enkelt hortikulturell lampe. Det kan være økt eksponeringsrisiko for ansatte på stedet avhengig av antallet hortikulturelle lamper og deres plassering og/eller posisjonering i gartnerianlegget.
- Det er gartnerianleggets ansvar å håndtere disse risikoene på anleggsnivå og sikre at personer som kommer inn i gartneriområdet mens lampene er i drift, er klar over disse risikoene og at passende sikkerhetstiltak er på plass.
- Egnet for bruk i omgivelsestemperaturer på mellom 32°F (0 °C) og 104°F(40 °C).
- Det er nødvendig med et mekanisk ventilasjons- eller kjølesystem for å opprettholde en temperatur på under 40 °C når lysmodulen er i drift.

Nødvendige verktøy

- Avisoleringsstang/avbitertang
- Skrutrekker
- Batteridrevet boremaskin med bor

Nødvendige komponenter

- Arize Life² festeanordninger (4 ft. eller 8 ft.)
- Kabeltilbehør (GECAaabcc-deffg), se side 7
- *Valgfritt* – Forbindelsesledning (93138395 – 2 ft, med dimmeledning)
- Festeklemme (88818 – standard) eller (10734 – smal)
- #10 (M5) selvgjengende senkeskrue
- CE-godkjente 18-14 AWG (0.82-2.08 mm²) ledningskontakter, in-line-forgreningskontakt eller andre godkjente kontakter.
- Deksel for kontakter
- *Valgfritt* – Kabelklemmer

METODE 1—Installasjon av enkeltarmatur

Før du begynner: Armaturer må bare monteres ved hjelp av Currents standard eller smale festeklemmer (se Nødvendige komponenter på side 3).

Monteringsinstruksjoner for installasjon av Currents standard og smale festeklemmer.

- Fest festeklemmene til en hard, flat montasjeflate ved hjelp av to #10 (M5) selvgjengende senkeskruer langs den respektive lamperaden. For å unngå belastning og eventuelle skader på armaturene, bør hele montasjeflaten være flat og festeklemmene være riktig justert. Se tabellen på side 11 for nødvendig antall festeklemmer per armatur.
- Trykk armaturet inn i dets festeklemmer slik at hankontakten er rettet mot den tiltenkte strømforsyningen. **TIPS:** Juster armaturet på den ene siden av festeklemmen, roter deretter armaturet til det klikker på plass på den andre siden av festeklemmen.
- (Gjelder kun for installasjon av enkeltlampe)
- **Alternativt:** Det nødvendige antallet festeklemmer kan festes på armaturet først, og armaturets festeklemmer kan deretter monteres på montasjeflaten ved hjelp av to #10 (M5) selvgjengende senkeskruer per festeklemme.
- Plasser armaturet på overflaten med hankontakten rettet mot den tiltenkte strømforsyningen.
- Hvis den ikke allerede er dekket til, setter du en endehefte på hankontakten og vri denne endeheften med urviseren for å feste den.
- Gå til METODE 3 på side 7

METODE 2—Direkte sammenkoblede armaturer

- Før du begynner: Se spesifikasjonene for installasjon av skinner for å sikre at du ikke overskrider maksimal installasjonslengde per ledetkabel.
- Armaturer må bare monteres ved hjelp av Currents standard eller smale festeklemmer (se Nødvendige komponenter på side 3).

Linear oppsett

MERK: Den anbefalte avstanden mellom to ender bør ikke være mer enn 0,8 tommer (20 mm) for å sikre beste mulig optisk jevnhet.

Parallell oppsett

MERK: Anbefalt maksimal avstand mellom parallelle armaturer er 10 tommer (245 mm) for å sikre best mulig optisk jevnhet.

- Fest festeklemmene til en hard, flat montasjeflate ved hjelp av to #10 (M5) selvgjengende senkeskruer langs den respektive lamperaden. **For å unngå belastning og eventuelle skader på armaturene, bør hele montasjeflaten være flat og festeklemmene være riktig justert.** Se tabellen på side 8 for nødvendig antall festeklemmer per armatur.

- Trykk armaturet inn i dets festeklemmer slik at hankontakten er rettet mot den tiltenkte strømforsyningen. **TIPS:** Juster armaturet på den ene siden av festeklemmen, roter deretter armaturet til det klikker på plass på den andre siden av festeklemmen.

METODE 2—Direkte sammenkoblede armaturer

- Verwijder de eindpog van het stopcontact. Steek de stekker in het stopcontact. Fjern endeheften fra hankontakten. Sett hankontakten inn i hankontakten. Sørg for at kontakten er godt festet, noe som indikeres ved et klikk.
- Bruk en forbindelsesledning for å koble sammen armaturene hvis avstanden mellom dem er for stor.
- **Valgfritt:** Fest ledningene ved hjelp av de valgfrie kabelklemmene.
- Fest en endehefte i hankontakten på det siste armaturet i raden, og vri endeheften med urviseren for å feste den.
- Gå til METODE 3 på side 7

METODE 3—Kabelforbindelser

- Fest ledekabelens hunkontakt til hankontakten på det første armaturet i raden. Du vil høre et klikk når kontakten er riktig tilkoblet.
- **MERK: Hankontakten kan kuttes hvis det ikke er noen ledetkabel.**
- **Se spesifikasjonene for installasjon av skinnen for å sikre at den maksimale lengden for en ledetkabel ikke overskrides.**
- **For å unngå skade er det viktig at du ikke bøyer eller på annen måte utøver overdreven kraft på kontakten under installasjonen.**
- Se Nødvendige komponenter på side 3 for delenummeret til ledetkabelen.
- Sett inn ledetkabelen i koblingsboksen
- Inne i koblingsboksen: Koble ledningen og de nøytrale ledningene til vekselstrømforsyningen til ledningen (svart eller brun) og de nøytrale (hvit eller blå) ledningene til ledetkabelen ved bruk av passende kabelmutre. Hvis en 0-10 V dimmeledning ikke skal installeres, må du dekke til dimmeledningene (lilla og grå) med passende kabelmutre. Ikke koble dimmeledningene sammen eller til ledning, nøytral eller jord. Fortsett til trinn 4 hvis 0-10 V dimmeledning ikke skal installeres.

Feilsøking

Ingen av LED-lampene lyser:

- Kontroller ledetkabelens tilkobling og/eller vernebryteren.
 - Kontroller LED-lampenes kontakter for feil tilkobling eller kortslutning.
 - Kontroller at ledetkabelen er godt festet til hankontakten på den første LED-lampen.
- Noen av LED-lampene lyser ikke:
- Kontroller LED-lampenes kontakter for feil tilkobling eller kortslutning.
 - Kontroller at eventuelle forbindelsesledninger er riktig koblet mellom han-/hunkontaktene på LED-lampene.

METODE 4—Instruksjoner for utskiftning av direkte sammenkoblede armaturer

- Koble fra kontakten på begge sider av armaturet.
- Løsne festeklemmene for å fjerne armaturet.
- Bruk en skrutrekker for å lirke armaturet forsiktig ut av festeklemmene.
- Se Metode 2 for å sette inn et nytt armatur. **For å unngå skade er det viktig at du ikke bøyer eller på annen måte utøver overdreven kraft på kontakten under installasjonen.**

PL OSTRZEŻENIE

ZAGROŻENIE PORAZENIEM PRĄDEM ELEKTRYCZNYM

- Przed rozpoczęciem inspekcji, instalacji lub demontażu należy odłączyć zasilanie energią elektryczną.
- Elektryczne zasilanie powinno być podłączone do każdej lampy zawsze przy użyciu męskiej wtyczki.
- Nie wolno zanurzać w wodzie lub wykorzystywać w środowisku morskim/wodnym.

ZAGROŻENIE WYSTĄPIENIEM POŻARU

- Należy przestrzegać wszystkich lokalnych przepisów.

1 GRUPA ZAGROŻENIA – OSTRZEŻENIE/UWAGA**2 GRUPA ZAGROŻENIA – OSTRZEŻENIE/UWAGA**

- Zachodzi możliwość emitowania przez to urządzenie szkodliwego promieniowania optycznego. Nie wolno spoglądać bezpośrednio w stronę lamp. Może to doprowadzić do uszkodzenia wzroku.
- Podane tutaj oznaczenia bezpieczeństwa fotobiologicznego opierają się na badaniu charakterystyki strumienia świetlnego pojedynczej oprawy ogrodniczej. W zależności od liczby opraw ogrodniczych oraz ich rozmieszczenia i/lub umiejscowienia w obiekcie do uprawy roślin może występować zwiększone ryzyko narażenia personelu obiektu.
- Obowiązkiem zakładu uprawy roślin jest zajęcie się tymi zagrożeniami na poziomie zakładu i zapewnienie, że ludzie wchodzący na obszary uprawy roślin przy włączonych lampach są świadomi tych zagrożeń i że zastosowano odpowiednie środki ochrony/zabezpieczenia.
- Urządzenia nadają się do użytkowania w temperaturach otoczenia od 32°F (0°C) do 104°F (40°C).
- Podczas pracy modułu oświetlenia wymagane jest stosowanie wentylacji mechanicznej lub systemu chłodzenia, aby w obszarze uprawy utrzymać temperaturę poniżej 104°F (40°C).

Wymagane narzędzia

- Narzędzie do obcinania/odizolowania przewodów
- Wkrętak
- Wiertarko-wkrętak bezprzewodowy/akumulatorowy z zestawem końcówek/bitów

Wymagane komponenty

- Oprawy oświetleniowe Arize Life² (4 ft. lub 8 ft.)
- Akcesoria do montażu kabli (GECAaabc-deffg), patrz strona nr 7
- Opcjonalnie – przewód przedłużający Jumper cable (93138395 – 2ft, z przewodem ściemniania)
- Klipsy montażowe Mounting clips (88818 – standard - standardowe) lub (10734 – slim – wąskie)
- #10 (M5) wkręty samogwintujące z płaskim łbem
- Szybkozłączki przewodowe 18-14 AWG (0,82-2,08 mm²) z certyfikatem CE, złącza liniowe zaciskane lub złącza alternatywne z atestem.
- Izolujące zakończenia przewodów
- Opcjonalnie – zaciski do montażu kabli

METODA NR 1—Montaż pojedynczej lampy

Przed rozpoczęciem montażu: Lampy wolno montować wyłącznie przy pomocy klipsów montażowych Current w wersji standard lub slim (Patrz Wymagane akcesoria montażowe na stronie nr 3).

Instrukcja montażu przy użyciu klipsów montażowych Current w wersjach standard oraz slim.

- Przymocuj każdy klips montażowy oprawy do sztywnej płaskiej powierzchni montażowej za pomocą dwóch samogwintujących wkrętów z płaskim łbem #10 (M5) wzdłuż zamierzonej trasy ułożenia oprawy. Aby uniknąć naprężeń i uszkodzeń oprawy, cała powierzchnia montażowa powinna być płaska, a klipsy montażowe odpowiednio wyrównane. W tabeli na stronie 11 podano wymaganą liczbę klipsów montażowych na oprawę.
- Wciśnij oprawę w jej zaciski montażowe, tak aby kabel ze złączem męskim był skierowany w stronę przewidzianego zasilania elektrycznego. **WSKAZÓWKI:** Przyłóż oprawę do jednej krawędzi klipsów montażowych; następnie obróć oprawę, aż zatrzaśnie się na drugiej krawędzi klipsów montażowych.
- (Wyłącznie przy montażu pojedynczej oprawy oświetleniowej)
- **Alternatywnie:** Wymagane zaciski montażowe można najpierw zatrzasnąć na oprawie, a następnie zespół zacisku montażowego z oprawą można zamontować na powierzchni montażowej za pomocą dwóch samogwintujących wkrętów z płaskim łbem #10 (M5) na każdy zacisk montażowy.
- Umieść oprawę na powierzchni ze złączem męskim skierowanym w stronę zamierzonego zasilania elektrycznego.
- Jeśli nie jest jeszcze zakryte, to włóż zaślepkę do złącza żeńskiego i przekręć ją zgodnie z ruchem wskazówek zegara, aby ją zabezpieczyć.
- Idź do opisu METODY NR 3 na stronie nr 7

METODA NR 2— Oprawy oświetleniowe połączone bezpośrednio ze sobą

- Przed rozpoczęciem montażu: Zobacz Szczegóły instalacji wielu modułów lamp, aby upewnić się, że nie przekroczysz maksymalnej długości ciągu na jednej gałęzi kabla prowadzącego.
- Lampy wolno montować wyłącznie przy pomocy klipsów montażowych Current w wersji standard lub slim (Patrz Wymagane akcesoria montażowe na stronie nr 3).

Ułożenie liniowe

UWAGA: zalecana odległość pomiędzy dwoma końcami nie powinna przekraczać 0,8" (20mm) dla zachowania lepszej równomierności oświetlenia.

Ułożenie równoległe

UWAGA: zalecana odległość pomiędzy dwiema oprawami świetlnymi wynosi 10" (245mm) dla zachowania lepszej równomierności oświetlenia.

- Przymocuj każdy zacisk montażowy oprawy do sztywnej płaskiej powierzchni montażowej za pomocą dwóch samogwintujących wkrętów z płaskim łbem #10 (M5) wzdłuż linii zamierzonego ułożenia oprawy. **Aby uniknąć naprężeń mechanicznych i uszkodzeń oprawy, cała powierzchnia montażowa powinna być płaska, a klipsy montażowe odpowiednio wyrównane.** W tabeli na stronie 8 podano wymaganą liczbę klipsów montażowych na jedną oprawę.

- Wciśnij oprawę w jej zaciski montażowe, tak aby kabel ze złączem męskim był skierowany w stronę przewidzianego zasilania elektrycznego. **WSKAZÓWKI:** Przyłóż oprawę do jednej krawędzi klipsów montażowych; następnie obróć oprawę, aż zatrzaśnie się na drugiej krawędzi klipsów montażowych.

METODA NR 2—Lampy połączone bezpośrednio

- Zdejmij zaślepkę ze złącza żeńskiego. Włóż złącze męskie do złącza żeńskiego. Upewnij się, że złącze jest w pełni zatrzaśnięte, co zasygnalizuje słyszalne kliknięcie.
- Jeśli odległość pomiędzy oprawami jest zbyt duża, to wykorzystaj kabelek przedłużający.
- Opcjonalnie: Zamocuj mechanicznie kable stosując opcjonalne akcesoria do mocowania kabli.
- Przy ostatniej oprawie włóż zaślepkę do złącza żeńskiego i przekręć ją zgodnie z ruchem wskazówek zegara, aby ją zabezpieczyć.
- Idź do opisu METODY NR 3 na stronie nr 7

METODA NR 3—Połączenia przewodów

- Włóż żeńskie złącze przewodu prowadzącego tak, aby w pełni złączyło się z męskim złączem pierwszej oprawy w szeregu, co zasygnalizuje usłyszenie kliknięcia.
- **UWAGA: złącze męskie może być odcięte, jeżeli przy nim nie występuje kabelek prowadzący.**
- **Patrz rozdział o szczegółach instalacji większej ilości opraw, aby nie przekroczyć maksymalnej długości szeregu dla jednej gałęzi przewodu prowadzącego.**
- **Aby uniknąć uszkodzenia nie należy zginać lub przykładać nadmiernej siły do złązek podczas ich instalacji.**
- Patrz Wymagane komponenty na stronie nr 3 dla numeru artykułu kabla prowadzącego.
- Przewód prowadzący wprowadź do puski połączeniowej.
- Wewnątrz skrzynki przyłączeniowej podłącz przewody linii i neutralny źródła zasilania AC do zacisku linii (czarny lub brązowy) i neutralnego (biały lub niebieski) przewodu prowadzącego za pomocą odpowiednich nakręcanych szybkozłązek. Jeśli ściemnianie 0-10 V nie będzie używane, to przewody ściemniania (fioletowy i szary) zabezpiecz odpowiednimi izolującymi końcówkami. Nie wolno podłączać przewodów ściemniania ani do zacisków linii, zera lub uziemienia. Jeśli będzie używane ściemnianie 0-10 V, to przejdź do kroku nr 4.

Rozwiązywanie problemów

Zadna z opraw LED nie świeci:

- Sprawdź połączenia przewodów prowadzących i/lub stan wyłącznika nadprądowego.
 - Sprawdź złącza wtykowe na oprawach LED na ewentualność nieprawidłowych połączeń lub zwarc.
 - Sprawdź, czy kable prowadzące są pewnie podłączone do męskich złązek na pierwszej w szeregu oprawie LED.
- Niektóre spośród opraw LED nie świecą:
- Sprawdź złącza wtykowe na oprawach LED na ewentualność nieprawidłowych połączeń lub zwarc.
 - Sprawdź, czy wszystkie kable przedłużające są pewnie podłączone do męskich i żeńskich złązek na oprawach LED.

METODA NR 4—Instrukcje wymiany dla lamp połączonych bezpośrednio

- Odłącz złączki po obu stronach lampy.
- Wykręć śruby mocujące klipsy montażowe aby całkowicie zdemontować oprawę świetlną.
- Przy pomocy śrubokręta ostrożnie zwolnij oprawę z zacisku/klipsa montażowego.
- Aby zamontować nową oprawę postępuj według Metody nr 2. **Aby uniknąć uszkodzenia nie należy zginać lub przykładać nadmiernej siły do złązek podczas ich instalacji.**

PT AVISO

RISCO DE CHOQUE ELÉTRICO

- Przed rozpoczęciem inspekcji, instalacji lub demontażu należy odłączyć zasilanie
- Desligue o equipamento antes de qualquer inspeção, instalação ou remoção.
- A fonte elétrica de cada luminária deve ser sempre ligada ao conector macho.
- Não mergulhar ou usar em ambiente marítimo.

RISCO DE INCÊNDIO

- Siga todos os códigos locais.

GRUPO DE RISCO 1 - CUIDADO / ATENÇÃO**GRUPO DE RISCO 2 - CUIDADO / ATENÇÃO**

- Radiação ótica potencialmente perigosa emitida por este produto. Não olhe diretamente para a lâmpada durante a operação. A lâmpada pode ser prejudicial para os olhos.
- Estas marcações de segurança fotobiológica baseiam-se em testes à característica luminosa de uma única luminária hortícola. Poderá haver um maior risco de exposição para o pessoal das instalações conforme o número de luminárias hortícolas e a sua respetiva disposição e/ou posicionamento dentro do local de crescimento das plantas.
- É da responsabilidade das instalações de crescimento de plantas endereçar estes riscos ao nível das instalações, garantir que as devidas proteções estão em funcionamento e que quaisquer pessoas que entrem para as áreas de crescimento, enquanto as luzes estiverem ligadas, estão atentas a estes riscos.
- Adequado para operação a uma temperatura ambiente entre 0 °C (32 °F) e 40 °C (104 °F).
- É necessária ventilação mecânica ou um sistema de arrefecimento de forma a manter a temperatura do espaço abaixo de 40 °C (104 °F) quando o módulo de iluminação estiver em operação.

Ferramentas Necessárias

- Decapante/cortador de fios
- Chave de fendas
- Berbequim sem fios com broca

Componentes necessários

- Fixadores Arize Life² (1,22 m ou 2,44 m)
- Acessórios para cabos (GEC Aabcc-deffg), ver página 7
- *Opcional* - Cabos auxiliares (93138395, 0,66 m, com fio dimming)
- Clipes de montagem (88818 - padrão) ou (10734 - estreitos)
- Parafusos autoroscantes #10 (M5) de cabeça plana
- Conectores de fios com aprovação CE, 18-14 AWG (0,82 - 2,08 mm²) conectores de união em linha, ou conectores alternativos aprovados.
- Tampas terminais para conectores
- *Opcional* - Braçadeiras de cabos

MÉTODO 1—Instalação de luminária única

Antes de começar: As luminárias apenas devem ser montadas seguindo o padrão da Current ou usando clipes de montagem estreitos (ver Componentes Necessários na página 3).

Instruções de montagem usando o padrão da Current e clipes de montagem estreitos.

- Prenda cada clipe de montagem a uma superfície plana e rígida usando dois parafusos autoroscantes #10 (M5) de cabeça plana para toda a disposição planeada de luminárias. De forma a evitar tensões e danos na luminária, toda a superfície de montagem deverá ser plana e os clipes de montagem corretamente alinhados. Consulte a tabela na página 11 quanto ao número necessário de clipes de montagem por cada luminária.
- Aperte a luminária contra os seus clipes de montagem de forma a que o conector macho fique orientado no sentido da fonte de alimentação planeada. **DICA:** Alinhe a luminária num dos lados dos clipes de montagem; de seguida, rode a luminária até esta clicar no outro lado dos clipes de montagem.
- (apenas para a instalação de luminária única)
- **Alternativamente:** Os clipes de montagem necessários podem ser apertados primeiro sobre a luminária; depois, o conjunto de clipes de montagem poderá ser montado sobre a superfície de montagem usando dois parafusos autoroscantes #10 (M5) de cabeça plana por cada clipe de montagem.
- Coloque a luminária na superfície com o conector macho orientado no sentido da fonte de alimentação planeada.
- Caso não tenha já sido tapado, insira uma tampa terminal no conector fêmea e torça a tampa no sentido horário para a prender no sítio.
- Consulte o MÉTODO 3 na página 7

MÉTODO 2—Luminárias diretamente interligadas

- Antes de começar: Consulte os Detalhes de Instalação Múltiplas Barras para garantir que não excede o comprimento máximo para cada cabo condutor.
- As luminárias apenas devem ser montadas seguindo o padrão da Current ou usando clipes de montagem estreitos (ver Componentes Necessários na página 3).

Disposição linear

ATENÇÃO: a distância recomendada entre as duas extremidades não deverá ser superior a 0,8" (20 mm) de forma a obter-se uma melhor uniformidade ótica.

Disposição paralela

ATENÇÃO: de forma a obter-se uma melhor uniformidade ótica, o espaço máximo indicado entre luminárias paralelas é de 10" (245 mm).

- Prenda cada clipe de montagem a uma superfície plana e rígida usando dois parafusos autoroscantes #10 (M5) de cabeça plana para toda a disposição planeada de luminárias. **De forma a evitar tensões e danos na luminária, toda a superfície de montagem deverá ser plana e os clipes de montagem corretamente alinhados.** Consulte a tabela na página 8 quanto ao número necessário de clipes de montagem por cada luminária.
- Aperte a luminária contra os seus clipes de montagem de forma a que o conector macho fique orientado no sentido da fonte de alimentação planeada. **DICA:** Alinhe a luminária num dos lados dos clipes de montagem, de seguida, rode a luminária até esta clicar no outro lado dos clipes de montagem.

MÉTODO 2—Luminárias diretamente interligadas

- Remova a tampa terminal do conector fêmea. Insira o conector macho no conector fêmea. Certifique-se de que o conector se encontra bem encaixado (ouvirá um clique).
- Use cabos auxiliares para ligar as luminárias se a distância entre as mesmas for demasiado longa.
- **Opcional:** Prenda os cabos usando as braçadeiras acessórias opcionais.
- Insira uma tampa terminal no conector fêmea da última luminária do conjunto e torça a tampa no sentido horário para a prender no sítio.
- Consulte o MÉTODO 3 na página 7

MÉTODO 3—Ligações de fios

- Insira o conector fêmea do cabo de alimentação na totalidade, de forma a encaixar-se corretamente no conector macho da primeira luminária do conjunto, conforme indicado (ouvirá um clique).
- **ATENÇÃO: o conector macho pode ser cortado caso nenhum cabo de alimentação esteja presente.**
- **Consulte os Detalhes de Instalação Múltiplas Barras para garantir que não excede o comprimento máximo para um cabo condutor.**
- **Para evitar danos, não dobre ou exerça força excessiva sobre o conector durante a instalação.**
- Consulte a secção Componentes Necessários na página 3 para ver o número de peça do cabo de alimentação.
- Insira o cabo de alimentação na caixa de derivação.
- Dentro da caixa de derivação, ligue os fios de linha e de neutro da fonte de alimentação CA aos fios de linha (preto ou castanho) e de neutro (branco ou azul) do cabo de alimentação, usando porcas próprias para o efeito. Se não será usado dimming 0 - 10 V, arrume os fios de dimming (roxo e cinzento) usando porcas próprias para o efeito. Não junte os fios de dimming nem os ligue a um fio sob tensão, neutro, ou terra. Caso seja usado dimming 0 - 10 V, proceda para o Passo 4.

Resolução de problemas

Nem todos os módulos LED estão iluminados:

- Verifique a ligação do cabo de alimentação e/ou o disjuntor.
- Inspeccione os conectores de tomada nos módulos LED quanto a más ligações ou curto-circuitos.
- Certifique-se de que o cabo de alimentação é ligado com firmeza à tomada fêmea da primeira luminária LED.

Alguns módulos LED não estão iluminados:

- Inspeccione os conectores de tomada nos módulos LED quanto a más ligações ou curto-circuitos.
- Certifique-se de que quaisquer cabos auxiliares se encontram ligados com firmeza nas tomadas macho/fêmea dos módulos LED.

MÉTODO 4—Instruções para a substituição de luminárias diretamente interligadas

- Desligue o conector em ambos os lados da luminária.
- Desparafuse os clipes de montagem de forma a remover a luminária na totalidade.
- Usando uma chave de fendas, vá forçando suavemente a luminária para se libertar dos clipes de montagem.
- Para colocação de uma nova luminária, consulte o Método 2. **Para evitar danos, não dobre ou exerça força excessiva sobre o conector durante a instalação.**

SV VARNING

RISK FÖR ELEKTRISKA STÖTAR

- Stäng av strömtillförseln före inspektion, installation och borttagning.
- Strömtillförseln för varje armatur måste alltid vara ansluten till hankontakten.
- Får aldrig sänkas ner i vatten eller användas i marin miljö.

BRANDRISK

- Följ alla lokala förordningar.

RISKGRUPP 1 - FÖRSIKTIGHET / VAR UPPMÄRKSAM

RISKGRUPP 2 - FÖRSIKTIGHET / VAR UPPMÄRKSAM

- Det är möjligt att farlig optisk strålning kan avges från denna produkt. Titta inte in i lampan när den är tänd. Kan skada dina ögon.
- Dessa fotobiologiska säkerhetsmärken är baserade på test av ljuseffekten som är karakteristisk för en enda trädgårdsarmatur. Ökad exponeringsrisk för anläggningens personal kan finnas beroende på antalet trädgårdsarmaturer och deras placering och/eller positionering inom anläggningens växtodlingsdel.
- Anläggningens växtodlingsdel har ansvar för att hantera dessa risker på anläggningsnivå och för att säkerställa att personer, som går in i anläggningen då belysningen är tänd, är medvetna om dessa risker och att säkerhetsåtgärder har vidtagits..
- Lämplig för användning i en omgivningstemperatur mellan 0°C och 40°C.
- En mekanisk ventilation eller kylsystem erfordras för att hålla temperaturen inom odlingsutrymmet 40°C när enheten används.

Erforderliga verktyg

- Avskalningsverktyg för ledningar/avklippningsverktyg
- Skruvmejsel
- Batteridriven bormaskin med borrar

Erforderliga komponenter

- Arize Life² armaturer (4 ft. eller 8 ft.)
- Kabeltillbehör (GECAabcc-deffg), se sidan 7
- *Valfritt*- bygelkabel (93138395 – 2ft, med dämpningsledning)
- Monteringsklämmor (88818 – standard) eller (10734 – smal)
- #10 (M5) självgående skruvar med platt huvud
- CE godkända 18-14 AWG (0.82-2.08 mm²) ledningskontakter, in-line skarvkontakter eller alternativa godkända kontakter.
- Ändlock för kontakter
- *Valfritt* - kabelklämmor

METOD 1—Installation av enkelarmatur

Innan installation påbörjas: Armaturer får bara monteras med hjälp av Current's standard eller smala monteringsklämmor (hänvisning till Erforderliga Komponenter på sidan 3).

Monteringsinstruktioner för montering med hjälp av Current's standard eller smala monteringsklämmor.

- Sätt fast varje monteringsklamma på en styv, plan monteringsyta med hjälp av två #10 (M5) självgående skruvar med platt huvud utmed hela armaturens längd. För att undvika påfrestningar och skador på armaturen måste hela monteringsytan vara plan och monteringsklämmorna korrekt ansatta. Hänvisning till tabell på sidan 11 för erforderligt antal monteringsklämmor per armatur.
- Tryck in armaturen i monteringsklämmorna så att hankontakten är riktad mot den avsedda strömtillförseln. **TIPS:** Rikta in armaturen på ena sidan av monteringsklämmorna; vrid sedan armaturen tills den snäpper fast i monteringsklämmorna på andra sidan.
- (Enbart vid installation av enkelarmatur)
- **Alternativt:** De erforderliga monteringsklämmorna kan först pressas på armaturen och sedan kan monteringsklämmorna monteras på monteringsytan med hjälp av de två #10 (M5) självgående skruvar med platt huvud per monteringsklamma.
- Placera armaturen på monteringsytan så att hankontakten är riktad mot den avsedda strömtillförseln.
- Om inte redan påsatt, sätt in ett ändlock i hankontakten och vrid ändlocket medurs för att fästa det.
- Gå till METOD 3 på sidan 7

METOD 2—Direkt sammankopplade armaturer

- Innan installation påbörjas: Hänvisning till installationsuppgifterna för flerbloksinstallation för att säkerställa att maximal löplängd per ledarkabel inte överskrids.
- Armaturer får bara monteras med hjälp av Current's standard eller smala monteringsklämmor (hänvisning till Erforderliga Komponenter på sidan 3).

Linjär layout

OBS: Det rekommenderade avståndet mellan två ändrar bör inte vara mer än 20 mm för bättre optisk enhetlighet.

Parallell layout

OBS: Det rekommenderade avståndet mellan två armaturer är 245 mm för bättre optisk enhetlighet.

- Sätt fast varje monteringsklamma på en styv, plan monteringsyta med hjälp av två #10 (M5) självgående skruvar med platt huvud utmed hela armaturens längd. **För att undvika påfrestningar och skador på armaturen måste hela monteringsytan vara plan och monteringsklämmorna korrekt ansatta. Hänvisning till tabell på sidan 8 för erforderligt antal monteringsklämmor per armatur.**

- Tryck in armaturen i monteringsklämmorna så att hankontakten är riktad mot den avsedda strömtillförseln. **TIPS:** Rikta in armaturen på ena sidan av monteringsklämmorna och vrid sedan armaturen om avståndet mellan dem är på den andra sidan av monteringsklämmorna.

METOD 2—Direkt sammankopplade armaturer

- Ta bort ändlocket från hankontakten. Sätt in hankontakten i honkontakten. Kontrollera att kontakten är i helt ingrepp genom att höra ett 'klick'.
- Använd bygelkabeln för att ansluta armaturen om avståndet mellan dem är för långt.
- **Valfritt:** Säkra kablarna med hjälp av den extra klamma bland tillbehören.
- Sätt in ändlocket i honkontakten på den sista armaturen i upplägget och vrid ändlocket för att säkra det.
- Gå till METOD 3 på sidan 7

METOD 3—Kabelanslutningar

- Sätt in honkontakten i ledarkabeln så att den är fullt insatt i hankontakten i den första armaturen i upplägget tills ett 'klick' hörs.
- **OBS: hankontakten kan skäras av om det inte finns någon ledarkabel.**
- **Hänvisning till installationsuppgifterna för flerbloksinstallation för att säkerställa att maximal löplängd per ledarkabel inte överskrids.**
- **För att undvika skador böj inte eller på annat sätt utsätta kontakten för kraftig överkan under installationen.**
- Hänvisning till Erforderliga Komponenter på sidan 3 för detaljnummer på ledarkabeln.
- Sätt in ledarkabeln i kopplingsboxen.
- Inuti kopplingsboxen anslut ledningen och nolledningar på växelströmsingången till de svarta eller bruna och vita och blå ledningarna med hjälp av lämpliga ledningsmuttrar. Om 0-10V ljusdämpning inte används avslutar du dämpningsledningarna (lila och grå) med lämpliga ledningsmuttrar. Anslut inte dämpningsledningarna tillsammans eller till en ledning, neutral eller till jord. Om 0-10V dämpning ska användas, fortsätt till steg 4.

Felsökning

Alla LED armaturer är inte tända:

- Kontrollera ledarkabeln och/eller krets brytaren.
- Kontrollera kontakterna på LED armaturerna för felaktiga anslutningar eller för kortslutning.
- Kontrollera att ledarkabeln är korrekt ansluten till hankontakten på den första LED armaturen.

Vissa LED armaturer är inte tända:

- Kontrollera kontakterna på LED armaturerna för felaktiga anslutningar eller för kortslutning.
- Kontrollera att bygelkablarna är korrekt anslutna mellan han/honkontakterna till LED armaturerna.

METOD 4—Utbytesinstruktioner för direkt sammankopplade armaturer

- Lossa kontakten på båda sidor av armaturen.
- Lossa monteringsklämmorna för att helt ta bort armaturen.
- Använd en skruvmejsel för att försiktigt bända ut armaturen ur monteringsklämmorna.
- För att sätta in en ny armatur hänvisas till Metod 2. **För att undvika skador böj inte eller på annat sätt utsätta kontakten för kraftig överkan under installationen.**